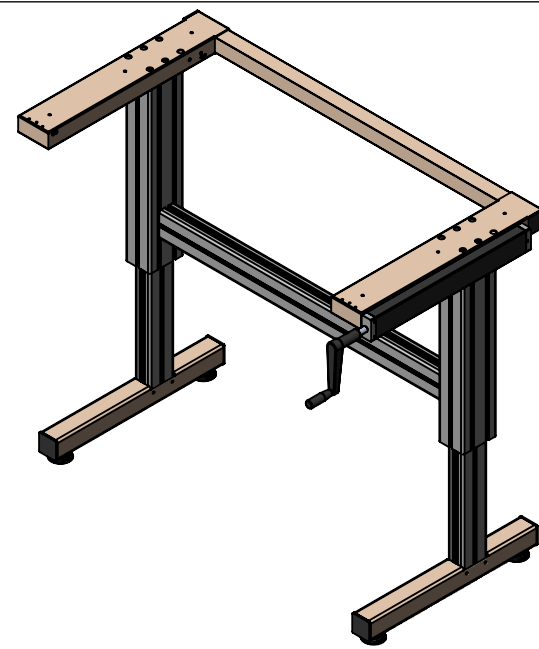
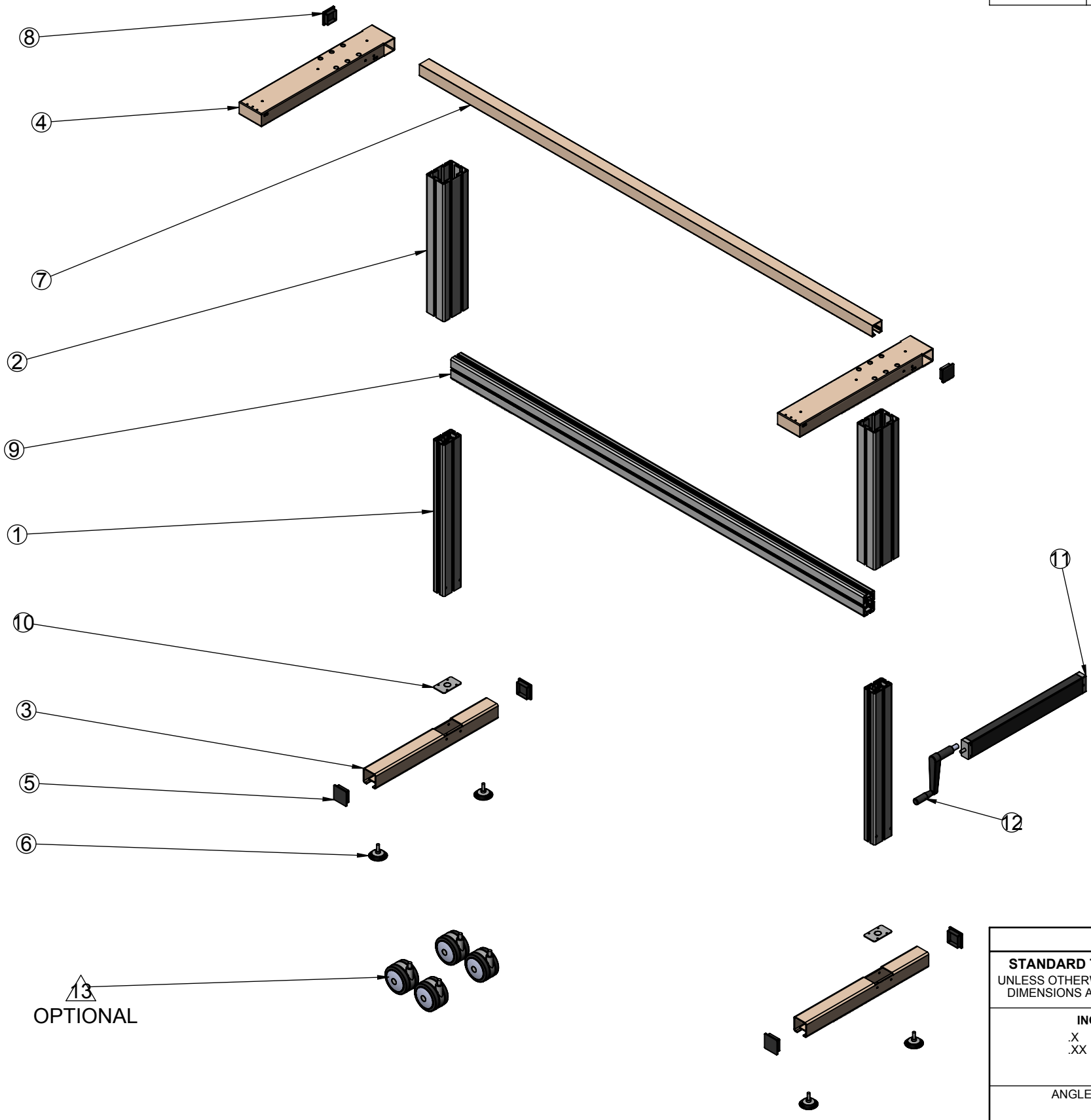


| REV/VER | DESCRIPTION OF CHANGE |
|---------|-----------------------|
| AA      | INITIAL RELEASE       |

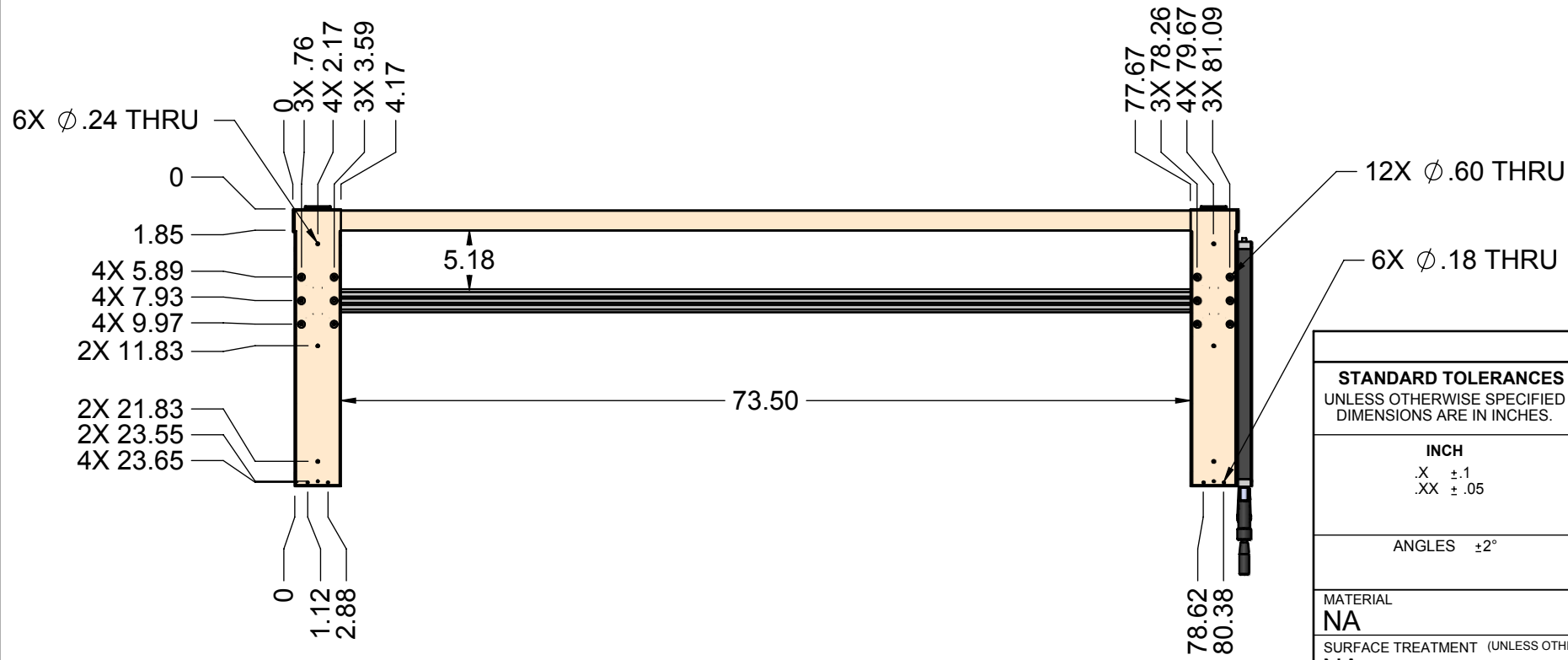
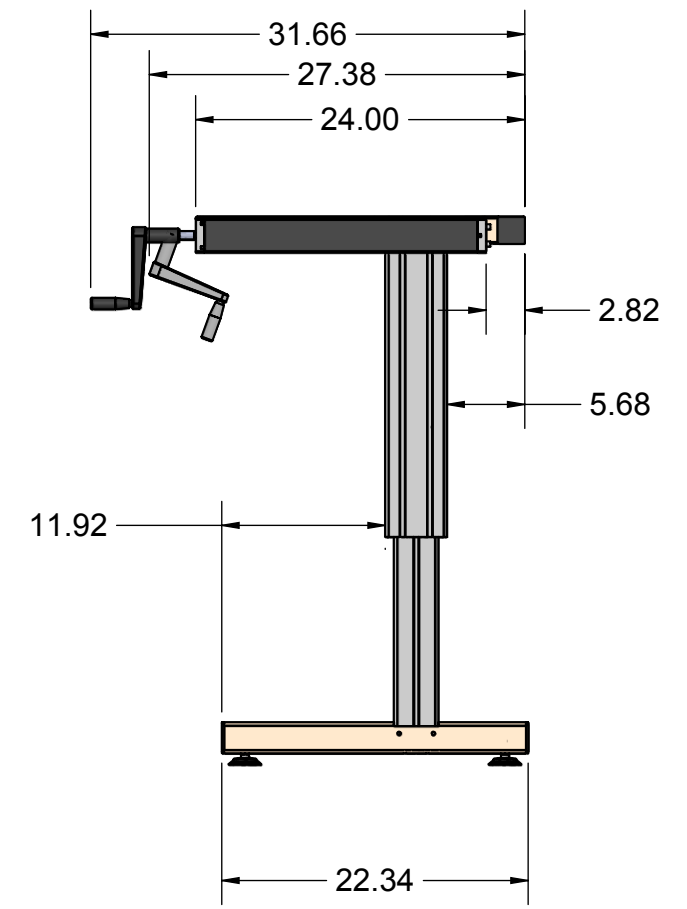
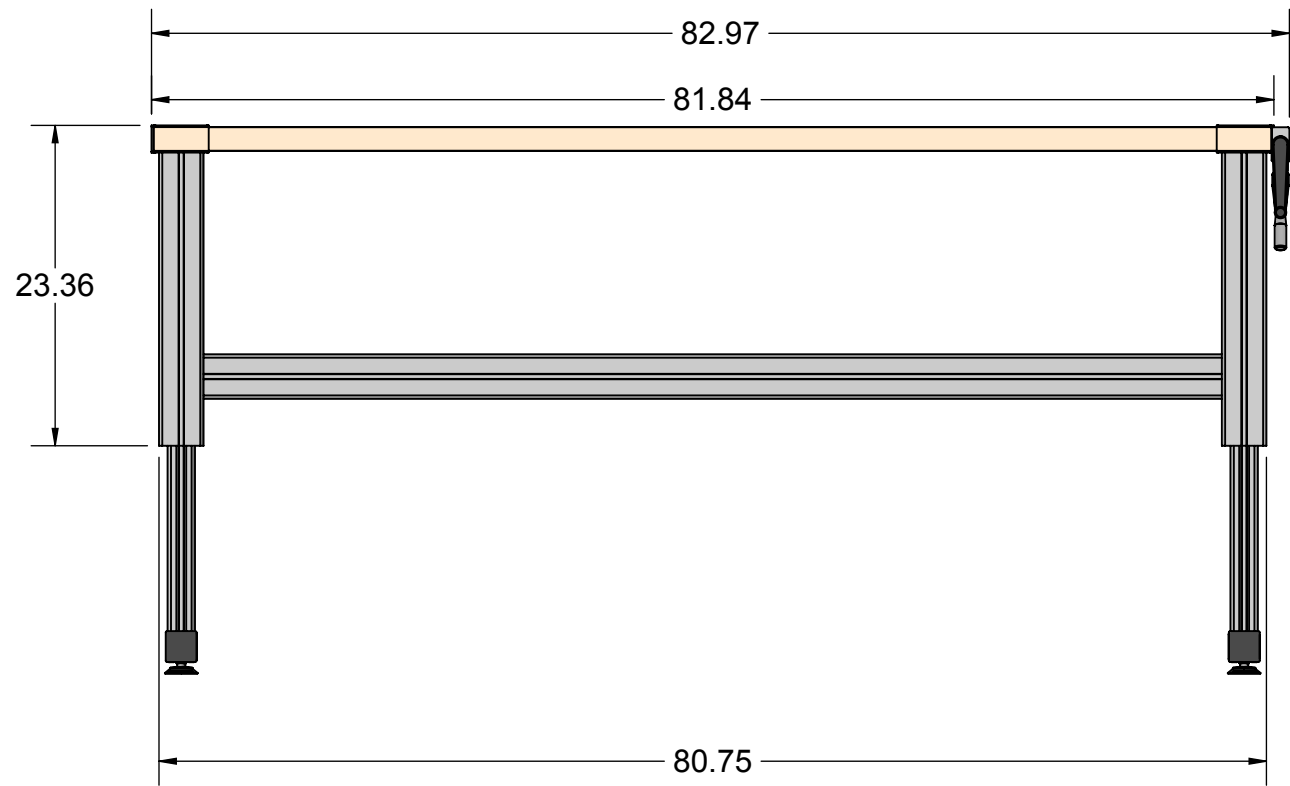


| ITEM NO. | QTY. | ADDITIONAL DESCRIPTION | VENDOR     | VENDOR PN        |
|----------|------|------------------------|------------|------------------|
| 1        | 2    | EXTR-LEG INNER         | ERGOSOURCE | 1003             |
| 2        | 2    | EXTR-LEG OUTER         | ERGOSOURCE | 1001             |
| 3        | 2    | FOOT                   | ERGOSOURCE | 1009             |
| 4        | 2    | ARM XECT-XFCT-XHCT     | ERGOSOURCE | 1004             |
| 5        | 4    | 2.25" END CAP          | ERGOSOURCE | SQR2-1/4-10      |
| 6        | 4    | GLIDE FOOT             | ERGOSOURCE | 7661-6-B-2       |
| 7        | 1    | RAIL                   | ERGOSOURCE | 109542-05001CAPP |
| 8        | 2    | END CAP                | ERGOSOURCE | SQR-2-10-14      |
| 9        | 1    | STRUT                  | ERGOSOURCE | 1003-XX          |
| 10       | 2    | SUPPORT PLATE          | ERGOSOURCE | 1008             |
| 11       | 1    | 2X PUMP HOUSING        | ERGOSOURCE | LM2T16           |
| 12       | 1    | HANDLE                 | ERGOSOURCE | LH-05ES          |
| 13       | 4    | CASTER                 | ERGOSOURCE | 2F9957009-01     |

13  
OPTIONAL

|  |                               |                            |   |
|--|-------------------------------|----------------------------|---|
| <b>STANDARD TOLERANCES</b><br>UNLESS OTHERWISE SPECIFIED<br>DIMENSIONS ARE IN INCHES.<br><br><b>INCH</b><br>.X ±.1<br>.XX ±.05<br><br>ANGLES ±2° | <b>DRAWN BY</b><br>LUCID LABS | <b>DATE</b><br>03JUL2013   | <b>ErgoSource</b><br><br>THIS DRAWING AND INFORMATION CONTAINED<br>THEREON ARE CONFIDENTIAL AND THE<br>PROPERTY OF ErgoSource. ANY USE OR<br>REPRODUCTION OF THIS DRAWING IS<br>EXPRESSLY PROHIBITED WITHOUT LUCID LABS<br>CONSENT. |
|  | <b>TITLE</b><br>XHCT TABLE    |                            |   |
| <b>MATERIAL</b><br>NA<br><br><b>SURFACE TREATMENT</b> (UNLESS OTHERWISE SPECIFIED DIMENSIONS APPLY PRIOR TO TREATMENT)<br>NA                     | <b>DWG SIZE</b><br><b>B</b>   | <br>THIRD ANGLE PROJECTION | <b>DOCUMENT NUMBER</b><br><b>XHCT 84 INCH</b>   |
|  |                               | <b>DO NOT SCALE</b>        | <b>REV/VER</b><br>SHEET 1 OF 2  |

SOLIDWORKS



|   |  |                               |                          |                   |  |
|---|--|-------------------------------|--------------------------|-------------------|--|
| <b>STANDARD TOLERANCES</b><br>UNLESS OTHERWISE SPECIFIED<br>DIMENSIONS ARE IN INCHES.           |  | <b>DRAWN BY</b><br>LUCID LABS | <b>DATE</b><br>03JUL2013 | <b>ErgoSource</b> | THIS DRAWING AND INFORMATION CONTAINED<br>THEREON ARE CONFIDENTIAL AND THE<br>PROPERTY OF ErgoSource. ANY USE OR<br>REPRODUCTION OF THIS DRAWING IS<br>EXPRESSLY PROHIBITED WITHOUT LUCID LABS<br>CONSENT. |
| <b>INCH</b><br>.X ±.1<br>.XX ±.05<br><br><b>ANGLES</b> ±2°                                      |  | <b>TITLE</b><br>XHCT TABLE    |                          |                   |  |
| <b>MATERIAL</b><br>NA   |  |                               | <b>DWG SIZE</b><br>B     |                   | <b>DOCUMENT NUMBER</b><br>XHCT 84 INCH   |
| <b>SURFACE TREATMENT</b> (UNLESS OTHERWISE SPECIFIED DIMENSIONS APPLY PRIOR TO TREATMENT)<br>NA |  |                               | <b>DO NOT SCALE</b>      | <b>REVISIONS</b>  | <b>REV/VER</b><br>SHEET 2 OF 2   |