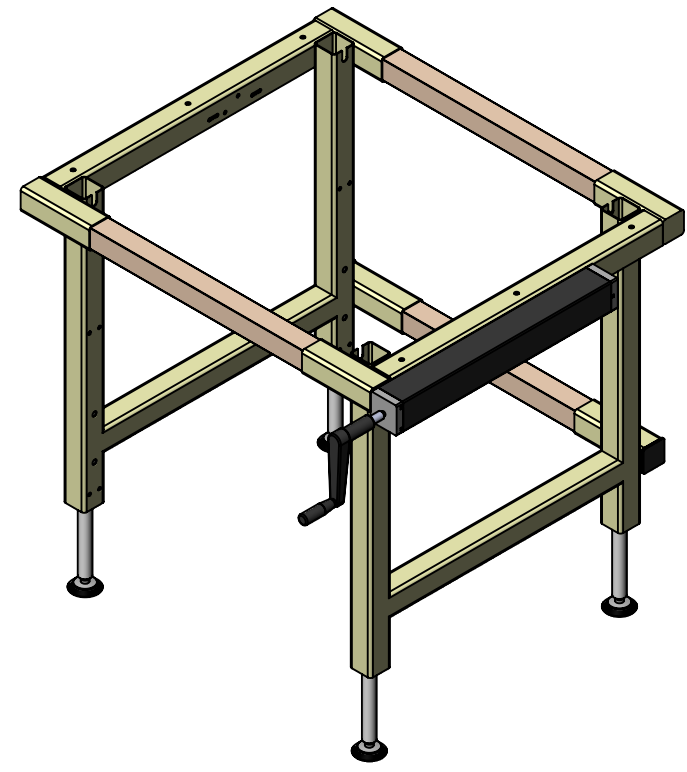
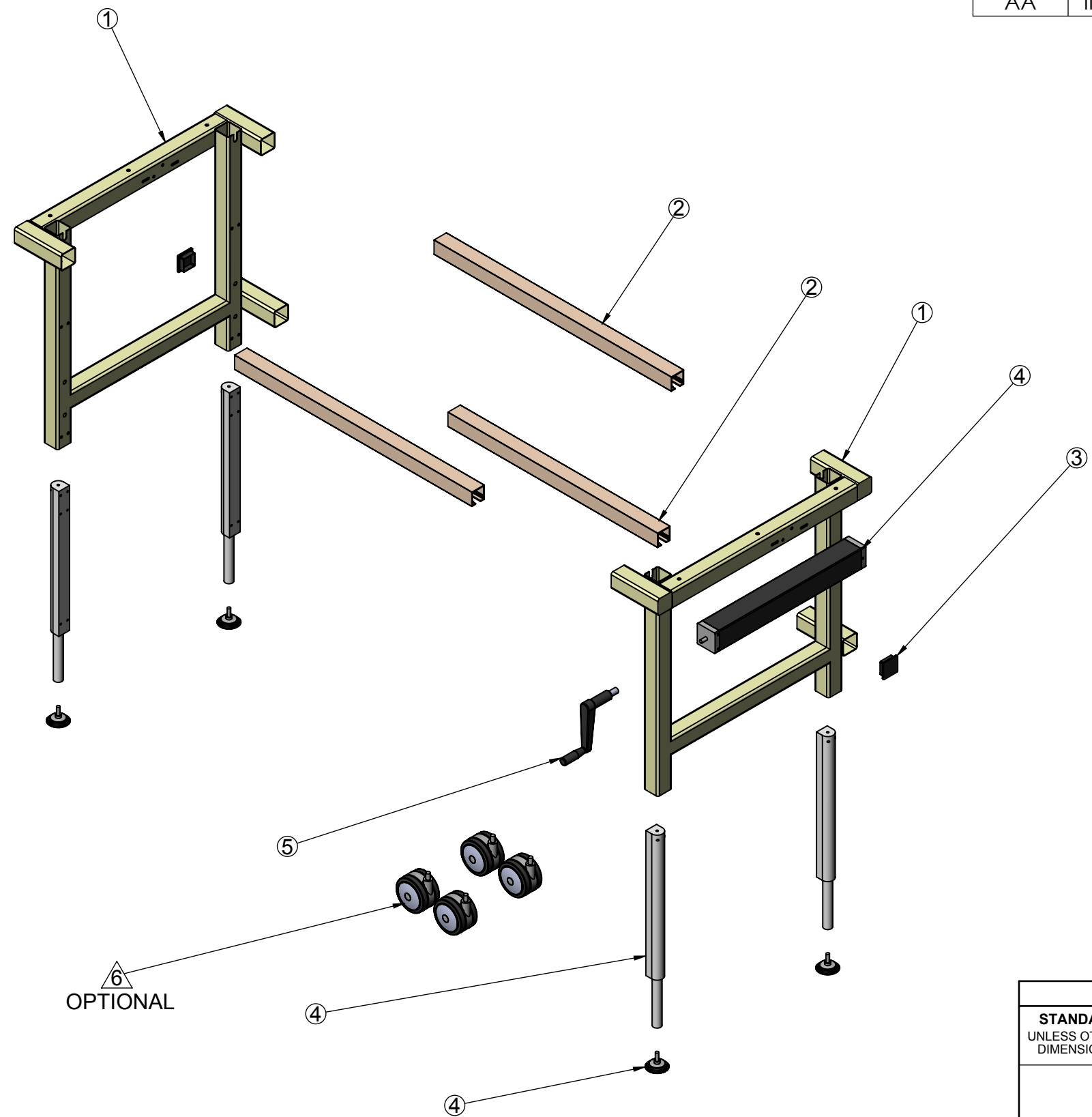
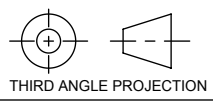


VER	DESCRIPTION OF CHANGE
AA	INITIAL RELEASE



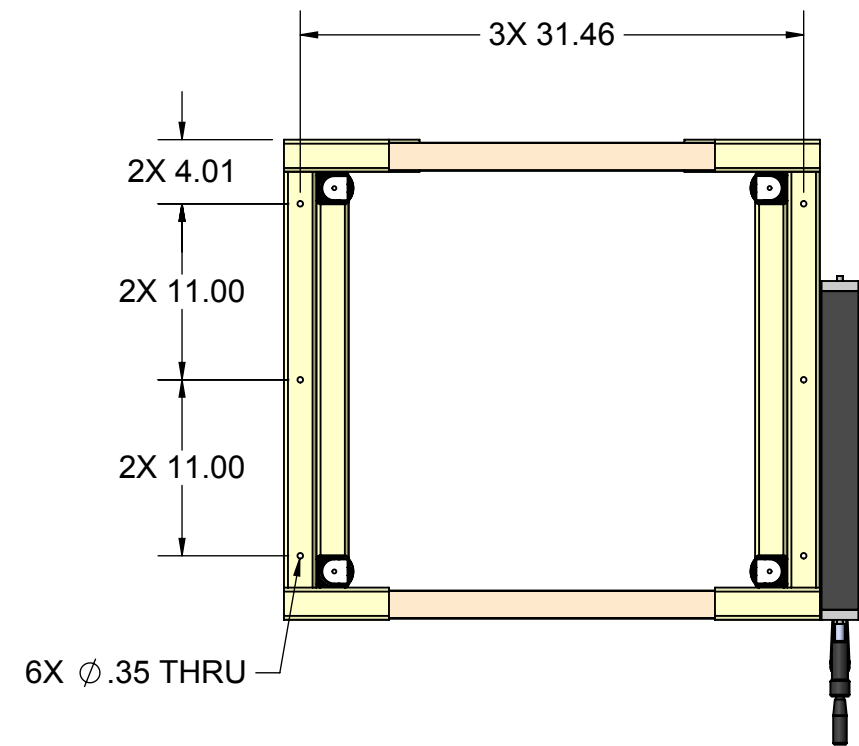
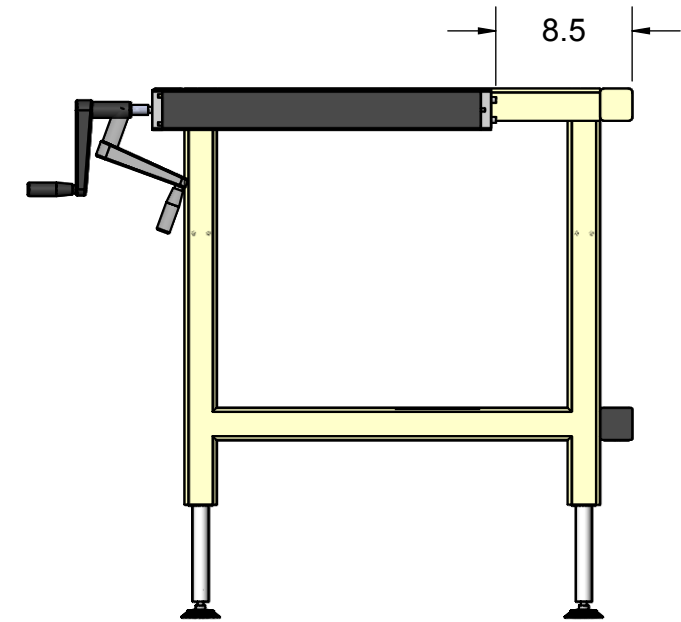
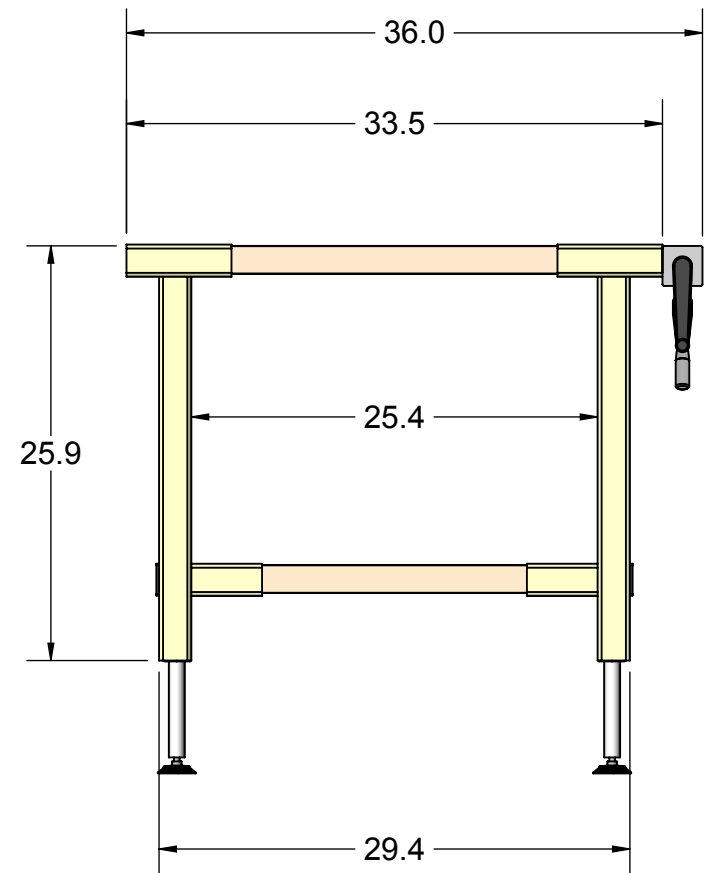
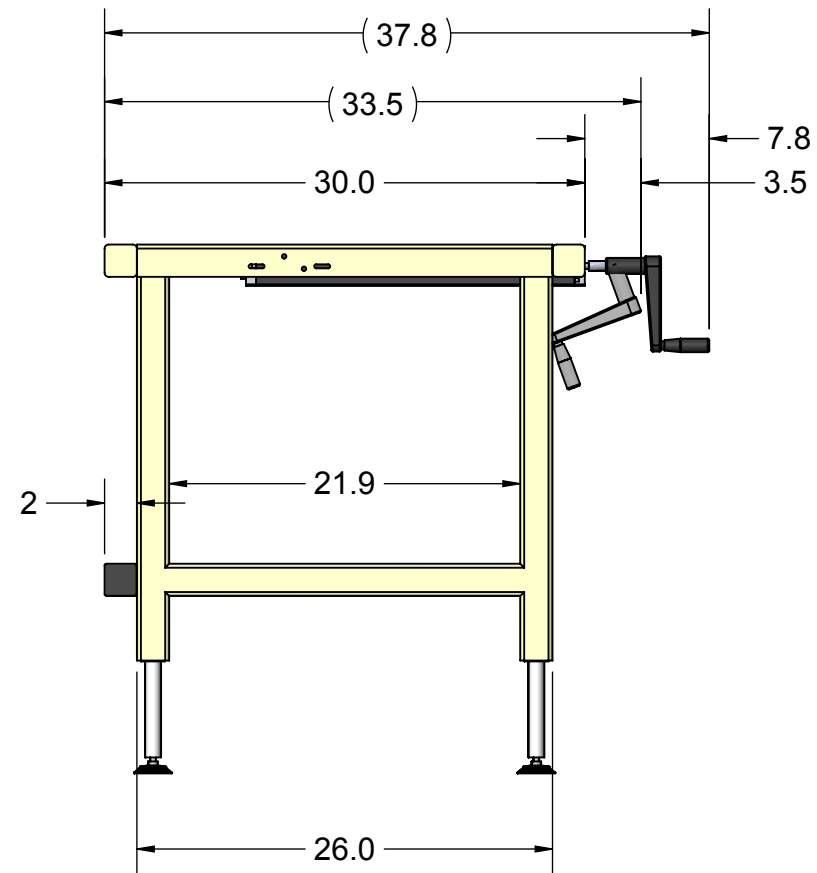
ITEM NO.	QTY.	ADDITIONAL DESCRIPTION	VENDOR	VENDOR PN
1	1	LH4T-EF-SET	ERGOSOURCE	LH4T-EF-SET
2	3	RAIL	ERGOSOURCE	109542-05001CAPP
3	2	END CAP	ERGOSOURCE	SQR-2-10-14
4	1	4X PUMP HOUSING	ERGOSOURCE	LM4X12T - LPHA4-12
5	1	HANDLE	ERGOSOURCE	LH-05ES
6	4	CASTER	ERGOSOURCE	2F9957009-01

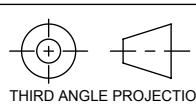
6  
OPTIONAL

<b>STANDARD TOLERANCES</b> UNLESS OTHERWISE SPECIFIED DIMENSIONS ARE IN INCHES.  <b>INCH</b> .X ±.1 .XX ±.05  ANGLES ±2°	<b>DRAWN BY</b> LUCID LABS	<b>DATE</b> 25APR2013	<b>ErgoSource</b>  THIS DRAWING AND INFORMATION CONTAINED THEREON ARE CONFIDENTIAL AND THE PROPERTY OF ErgoSource. ANY USE OR REPRODUCTION OF THIS DRAWING IS EXPRESSLY PROHIBITED WITHOUT LUCID LABS CONSENT.
	<b>TITLE</b> LH4T TABLE		
<b>MATERIAL</b> NA  <b>SURFACE TREATMENT</b> (UNLESS OTHERWISE SPECIFIED DIMENSIONS APPLY PRIOR TO TREATMENT) NA	<b>DWG SIZE</b> <b>B</b>	 THIRD ANGLE PROJECTION	<b>DOCUMENT NUMBER</b> <b>LH4T - 36 INCH</b>
		<b>DO NOT SCALE</b>	<b>REV/VER</b> SHEET 1 OF 2

SOLIDWORKS

VER	DESCRIPTION OF CHANGE
AA	INITIAL RELEASE



<b>STANDARD TOLERANCES</b> UNLESS OTHERWISE SPECIFIED DIMENSIONS ARE IN INCHES.  <b>INCH</b> .X ±.1 .XX ±.05  ANGLES ±2°	<b>DRAWN BY</b> LUCID LABS	<b>DATE</b> 25APR2013	<b>ErgoSource</b>  THIS DRAWING AND INFORMATION CONTAINED THEREON ARE CONFIDENTIAL AND THE PROPERTY OF ErgoSource. ANY USE OR REPRODUCTION OF THIS DRAWING IS EXPRESSLY PROHIBITED WITHOUT LUCID LABS CONSENT.
	<b>TITLE</b> LH4T TABLE		
<b>MATERIAL</b> NA  <b>SURFACE TREATMENT</b> (UNLESS OTHERWISE SPECIFIED DIMENSIONS APPLY PRIOR TO TREATMENT) NA	<b>DWG SIZE</b> <b>B</b>	 THIRD ANGLE PROJECTION	<b>DOCUMENT NUMBER</b> <b>LH4T - 36 INCH</b>  <b>REV/VER</b> SHEET 2 OF 2

SOLIDWORKS