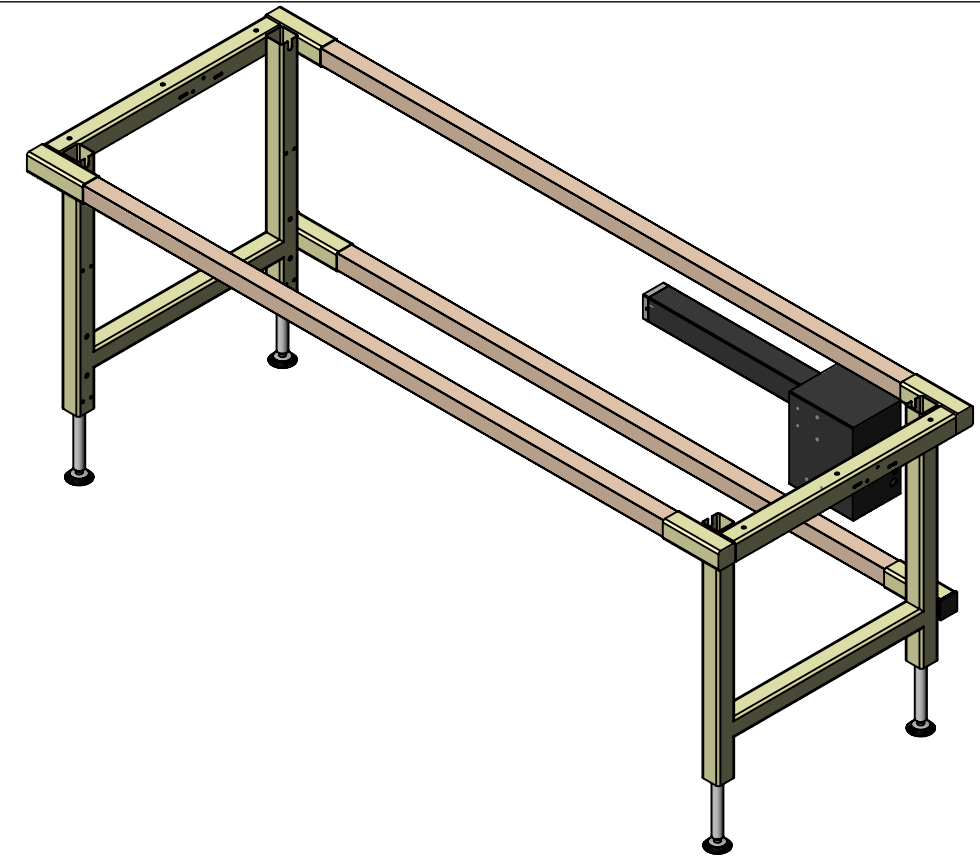
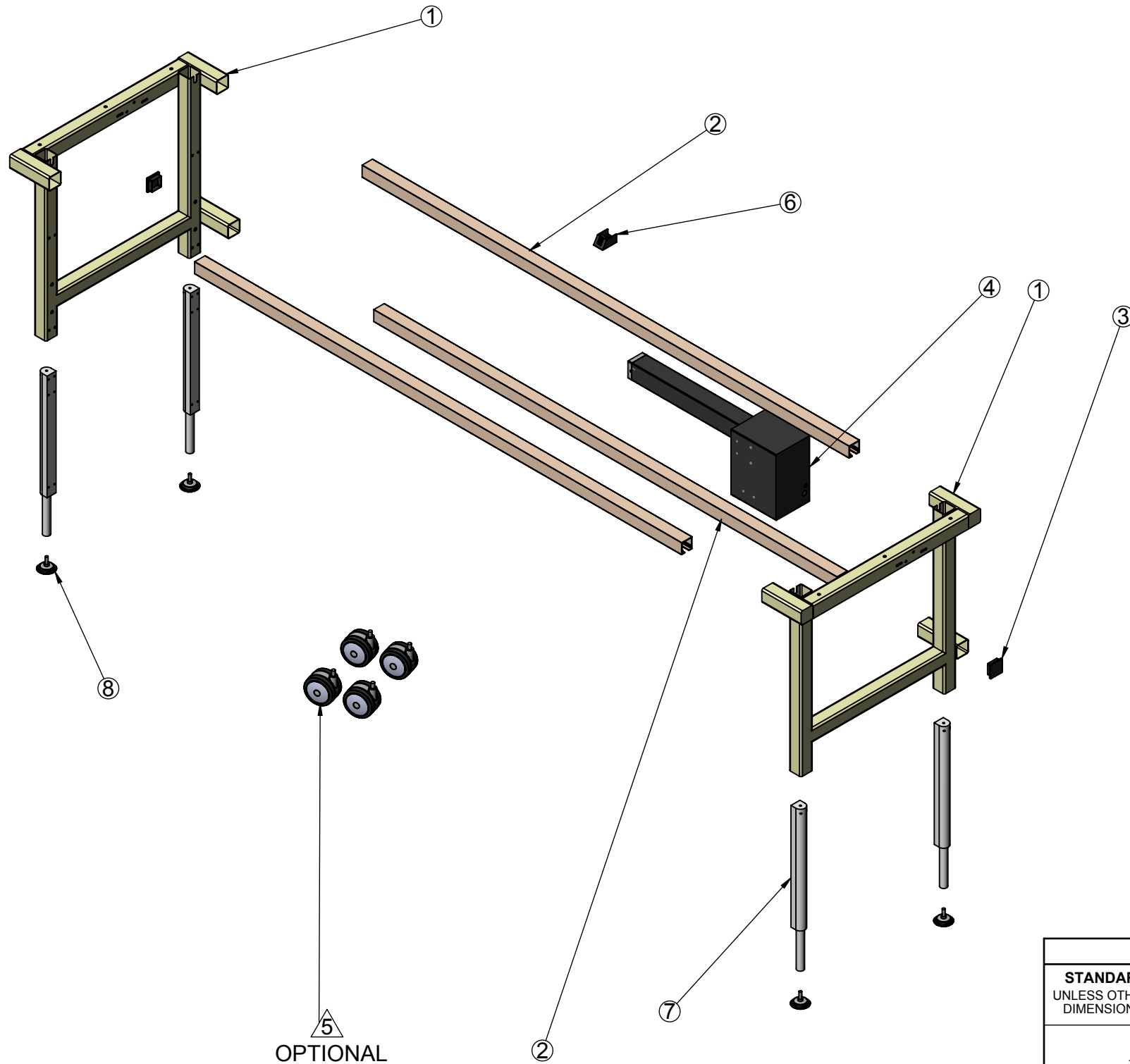


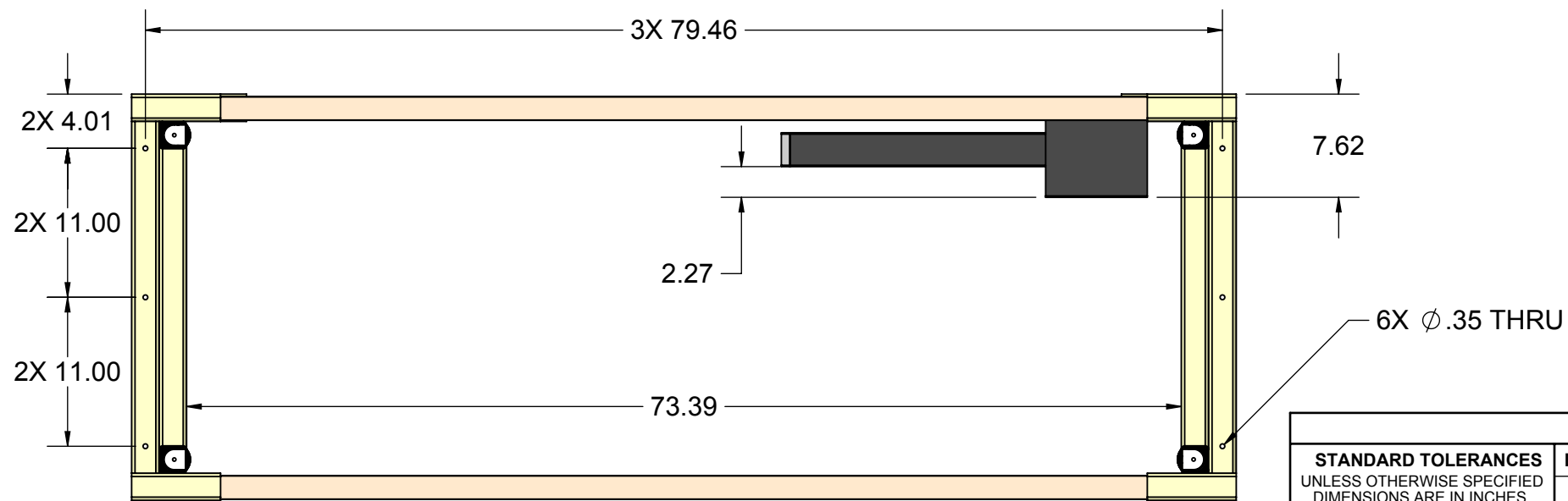
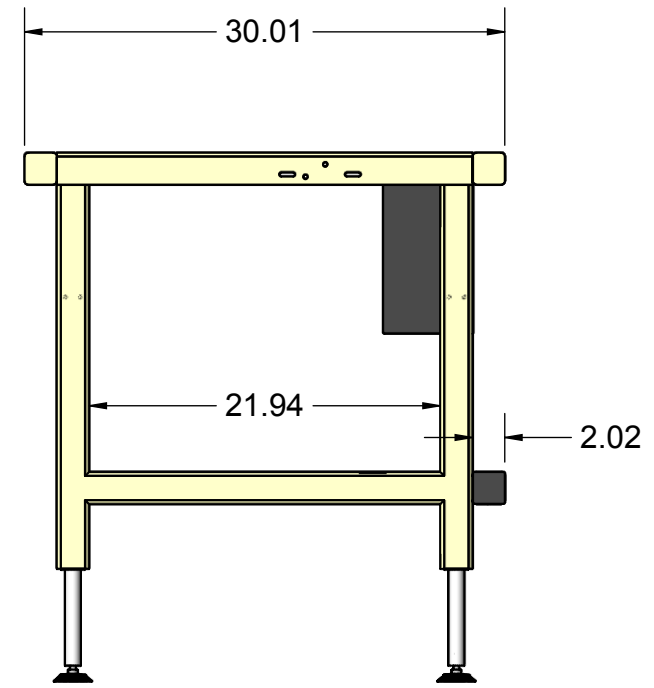
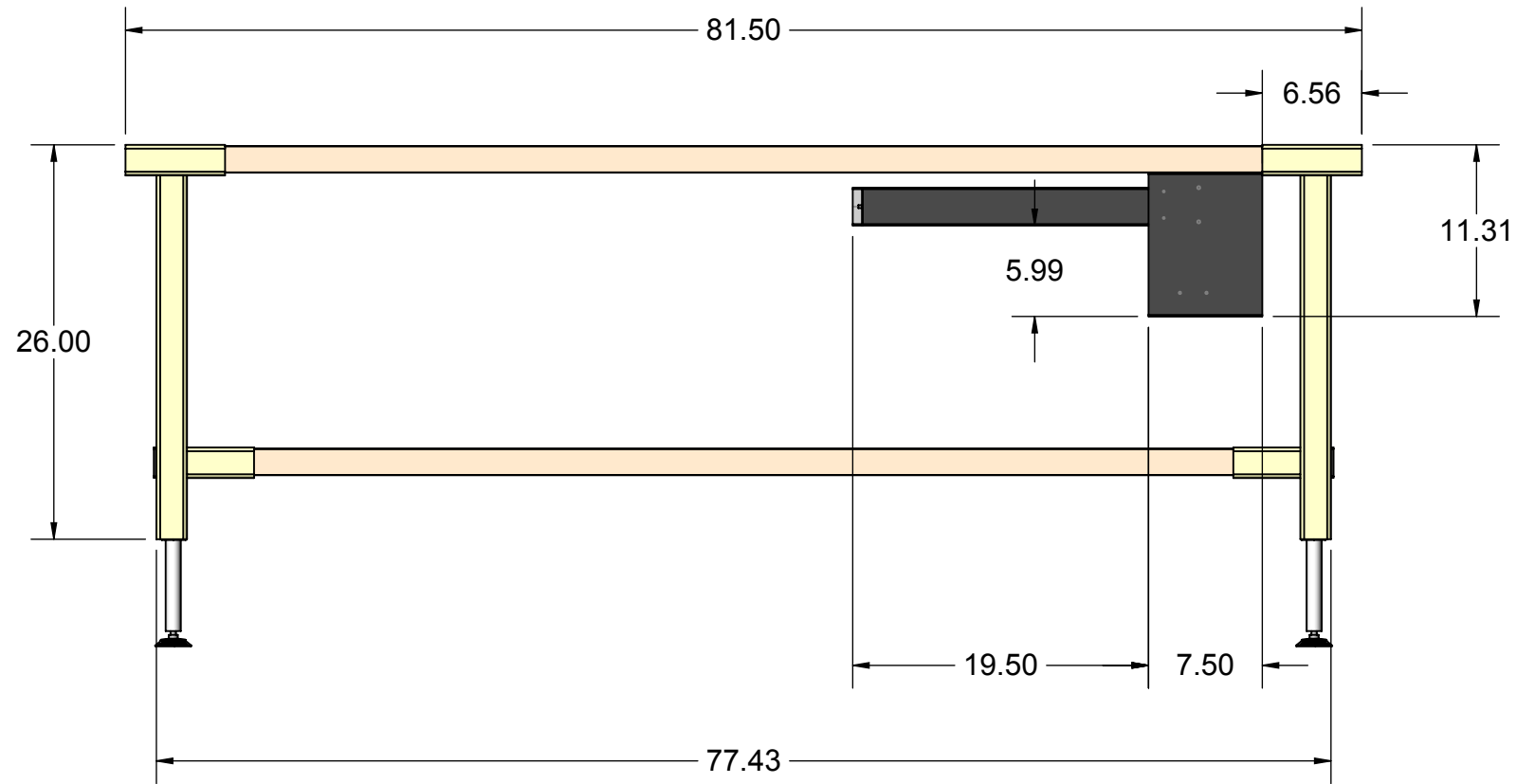
REV/VER	DESCRIPTION OF CHANGE
AA	INITIAL RELEASE



ITEM NO.	QTY.	ADDITIONAL DESCRIPTION	VENDOR	VENDOR PN
1	1	LH4T-EF-SET	ERGOSOURCE	LH4T-EF-SET
2	3	RAIL	ERGOSOURCE	109542-05001CAPP
3	2	END CAP	ERGOSOURCE	SQR-2-10-14
4	1	LIFT SYSTEM	ERGOSOURCE	LE4X12T - LPE4A-12
5	4	CASTER	ERGOSOURCE	2F9957009-01
6	1	SWITCH ASSEMBLY	ERGOSOURCE	1065-RS
7	4	X-HOUSING	ERGOSOURCE	X-HOUSING
8	4	GLIDE FOOT	ERGOSOURCE	7661-6-B-2

STANDARD TOLERANCES UNLESS OTHERWISE SPECIFIED DIMENSIONS ARE IN INCHES.		DRAWN BY LUCID LABS	DATE 02JUL2013	ErgoSource	THIS DRAWING AND INFORMATION CONTAINED THEREON ARE CONFIDENTIAL AND THE PROPERTY OF ErgoSource. ANY USE OR REPRODUCTION OF THIS DRAWING IS EXPRESSLY PROHIBITED WITHOUT LUCID LABS CONSENT.
INCH .X ±.1 .XX ±.05	TITLE LE4T TABLE				
ANGLES ±2°	MATERIAL NA		DWG SIZE B	DOCUMENT NUMBER LE4T - 84 INCH	REV/VER 1 OF 2
SURFACE TREATMENT (UNLESS OTHERWISE SPECIFIED DIMENSIONS APPLY PRIOR TO TREATMENT) NA		THIRD ANGLE PROJECTION		DO NOT SCALE	SHEET 1 OF 2

SOLIDWORKS



STANDARD TOLERANCES UNLESS OTHERWISE SPECIFIED DIMENSIONS ARE IN INCHES.		DRAWN BY LUCID LABS	DATE 02JUL2013	ErgoSource	THIS DRAWING AND INFORMATION CONTAINED THEREON ARE CONFIDENTIAL AND THE PROPERTY OF ErgoSource. ANY USE OR REPRODUCTION OF THIS DRAWING IS EXPRESSLY PROHIBITED WITHOUT LUCID LABS CONSENT.	
INCH .X ±.1 .XX ±.05 ANGLES ±2°		TITLE LE4T TABLE				
MATERIAL NA			DWG SIZE B	 THIRD ANGLE PROJECTION	DOCUMENT NUMBER LE4T - 84 INCH	REV/VER
SURFACE TREATMENT (UNLESS OTHERWISE SPECIFIED DIMENSIONS APPLY PRIOR TO TREATMENT) NA			DO NOT SCALE		SHEET 2 OF 2	