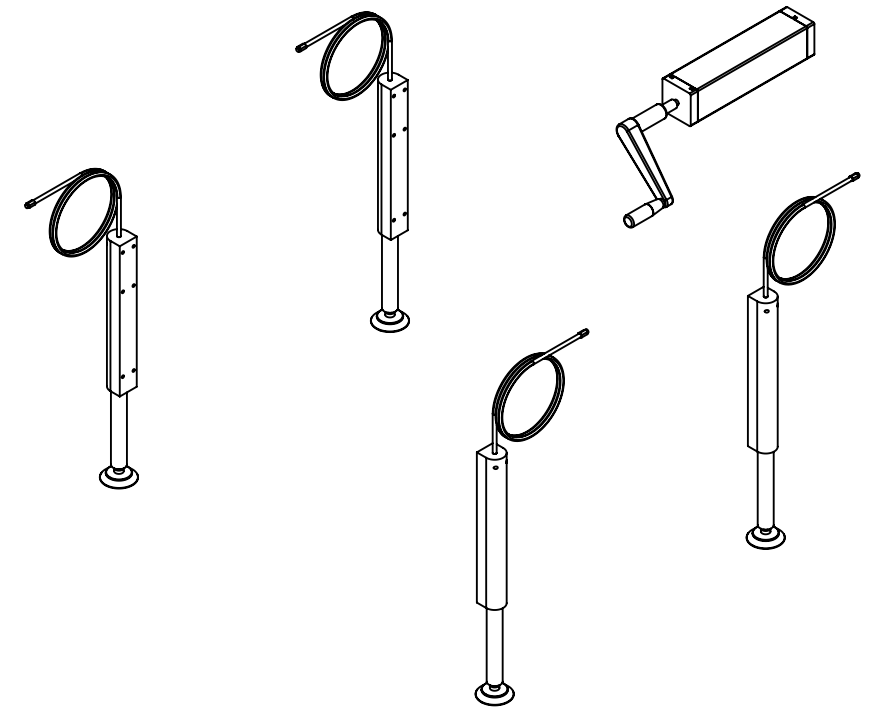
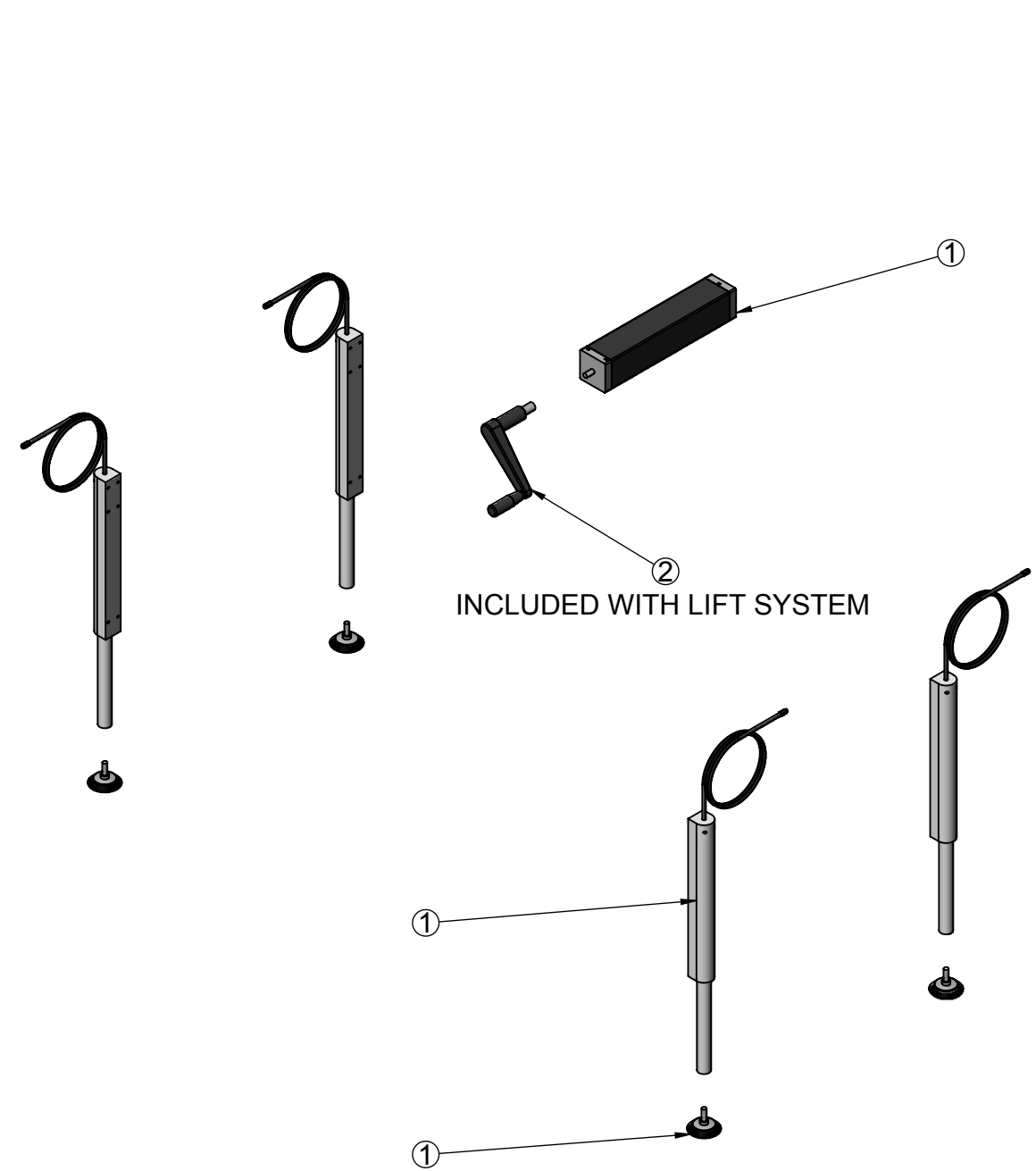


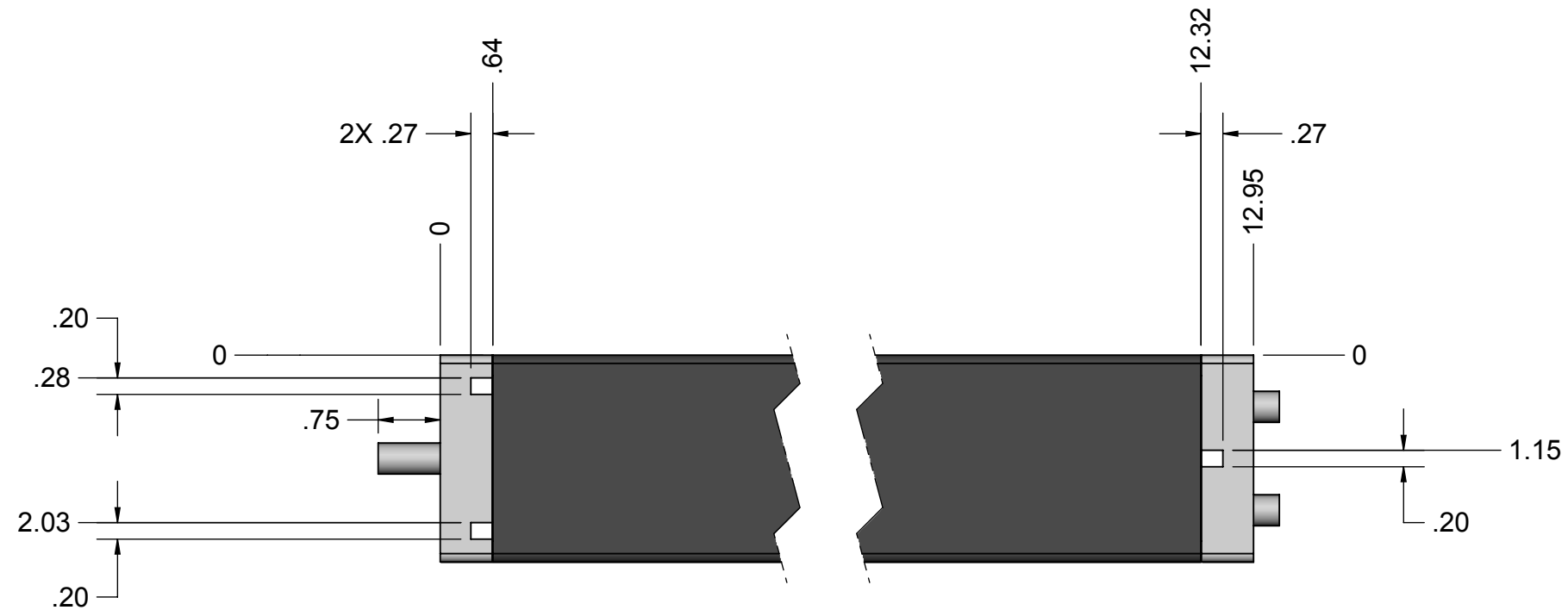
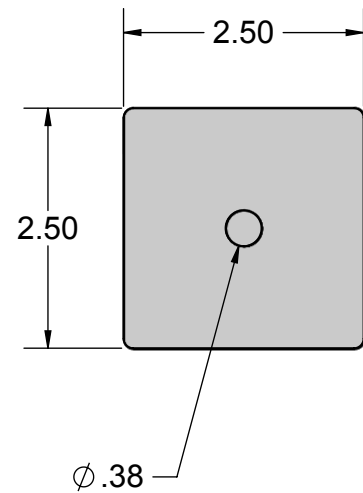
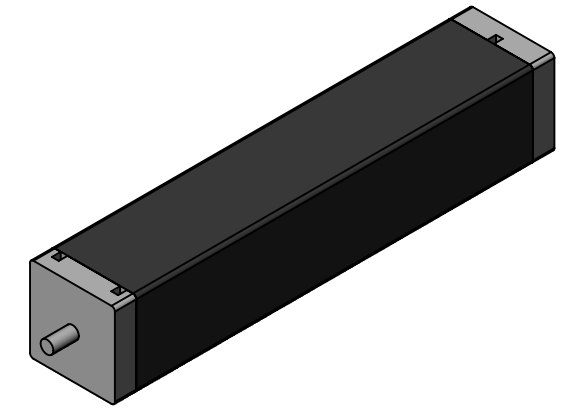
| REV/VER | DESCRIPTION OF CHANGE |
|---------|-----------------------|
| AA | INITIAL RELEASE |



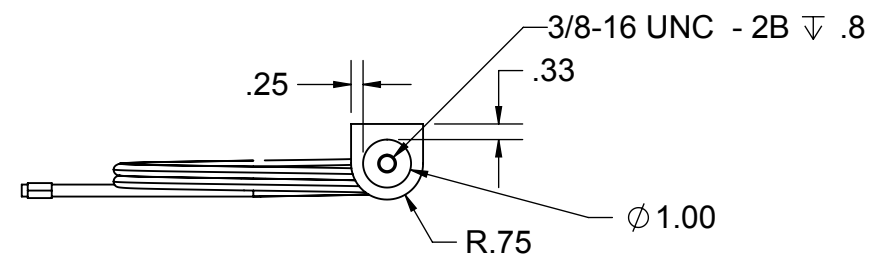
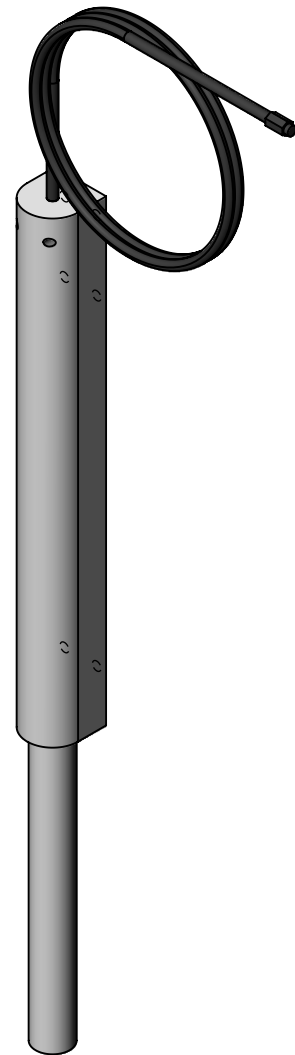
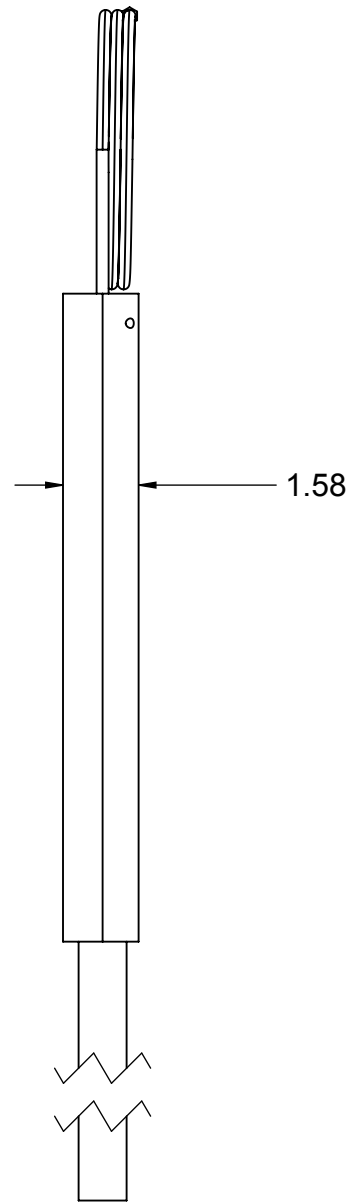
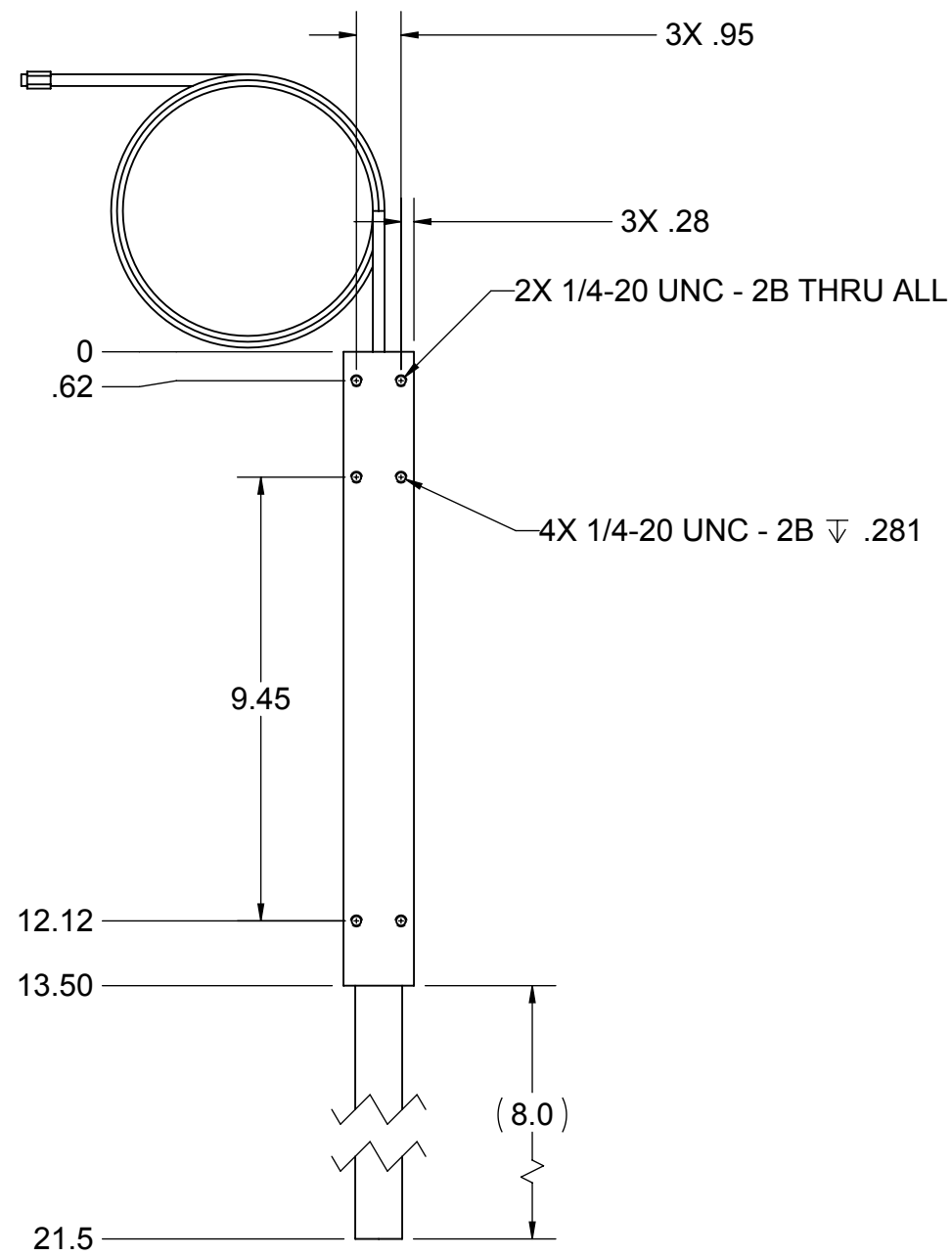
| ITEM NO. | QTY. | ADDITIONAL DESCRIPTION | VENDOR | VENDOR PN |
|----------|------|------------------------|------------|--------------------|
| 1 | 1 | 4X PUMP HOUSING | ERGOSOURCE | LM4X08T - LPHA4-08 |
| 2 | 1 | HANDLE | ERGOSOURCE | LH-05ES |

| | | | | | |
|---|--|---------------------------------------|--------------------------|-------------------|--|
| STANDARD TOLERANCES UNLESS OTHERWISE SPECIFIED DIMENSIONS ARE IN INCHES. | | DRAWN BY LUCID LABS | DATE 24JUN2013 | ErgoSource | THIS DRAWING AND INFORMATION CONTAINED THEREON ARE CONFIDENTIAL AND THE PROPERTY OF ErgoSource. ANY USE OR REPRODUCTION OF THIS DRAWING IS EXPRESSLY PROHIBITED WITHOUT LUCID LABS CONSENT. |
| INCH .X ±.1 .XX ±.05 ANGLES ±2° | | TITLE 4X LIFT SYSTEM | | | |
| MATERIAL NA | | | DWG SIZE B | | DOCUMENT NUMBER LM4X08 |
| SURFACE TREATMENT (UNLESS OTHERWISE SPECIFIED DIMENSIONS APPLY PRIOR TO TREATMENT) NA | | | DO NOT SCALE | | REV/VER SHEET 1 OF 3 |

SOLIDWORKS



| | | | | | | |
|--|-----------|--|--------------------------|----------------------|--|----------------------------------|
| STANDARD TOLERANCES UNLESS OTHERWISE SPECIFIED DIMENSIONS ARE IN INCHES. | | DRAWN BY LUCID | DATE 18AUG2012 | Ergosource | THIS DRAWING AND INFORMATION CONTAINED THEREON ARE CONFIDENTIAL AND THE PROPERTY OF Ergosource. ANY USE OR REPRODUCTION OF THIS DRAWING IS EXPRESSLY PROHIBITED WITHOUT LUCID LABS CONSENT. | |
| INCH | mm | TITLE PUMP HOUSING 4X PUMP HOUSING | | | | |
| X ±.2 | X ± 5.08 | ANGLES ±2° | | DWG SIZE B | | DOCUMENT NUMBER LM4X08 |
| .XX ±.1 | .X ± 2.54 | MATERIAL NA | | DO NOT SCALE | REV/VER | |
| SURFACE TREATMENT (UNLESS OTHERWISE SPECIFIED DIMENSIONS APPLY PRIOR TO TREATMENT) NA | | | | SHEET | 2 OF 3 | |



| | | | | | | |
|---|--|---------------------------|--------------------------|----------------------|--|----------------------------------|
| STANDARD TOLERANCES UNLESS OTHERWISE SPECIFIED DIMENSIONS ARE IN INCHES. | | DRAWN BY LUCID | DATE 18AUG2012 | ErgoSource | THIS DRAWING AND INFORMATION CONTAINED THEREON ARE CONFIDENTIAL AND THE PROPERTY OF ErgoSource. ANY USE OR REPRODUCTION OF THIS DRAWING IS EXPRESSLY PROHIBITED WITHOUT LUCID LABS CONSENT. | |
| INCH .X \pm .1 .XX \pm .05 | | TITLE X-HOUSING | | | | |
| ANGLES \pm 2° | | | | DWG SIZE B | THIRD ANGLE PROJECTION | DOCUMENT NUMBER LM4X08 |
| MATERIAL NA | | | | DO NOT SCALE | REVISIONS | REV/VER |
| SURFACE TREATMENT (UNLESS OTHERWISE SPECIFIED DIMENSIONS APPLY PRIOR TO TREATMENT) NA | | | | SHEET | 3 OF 3 | |