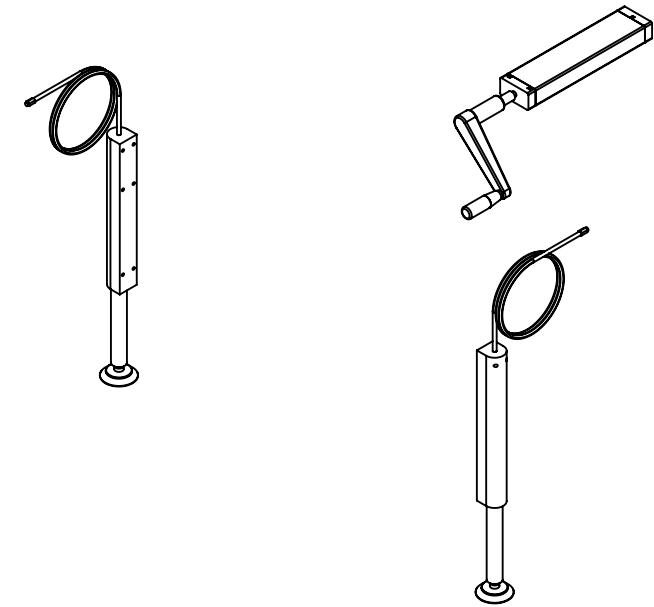
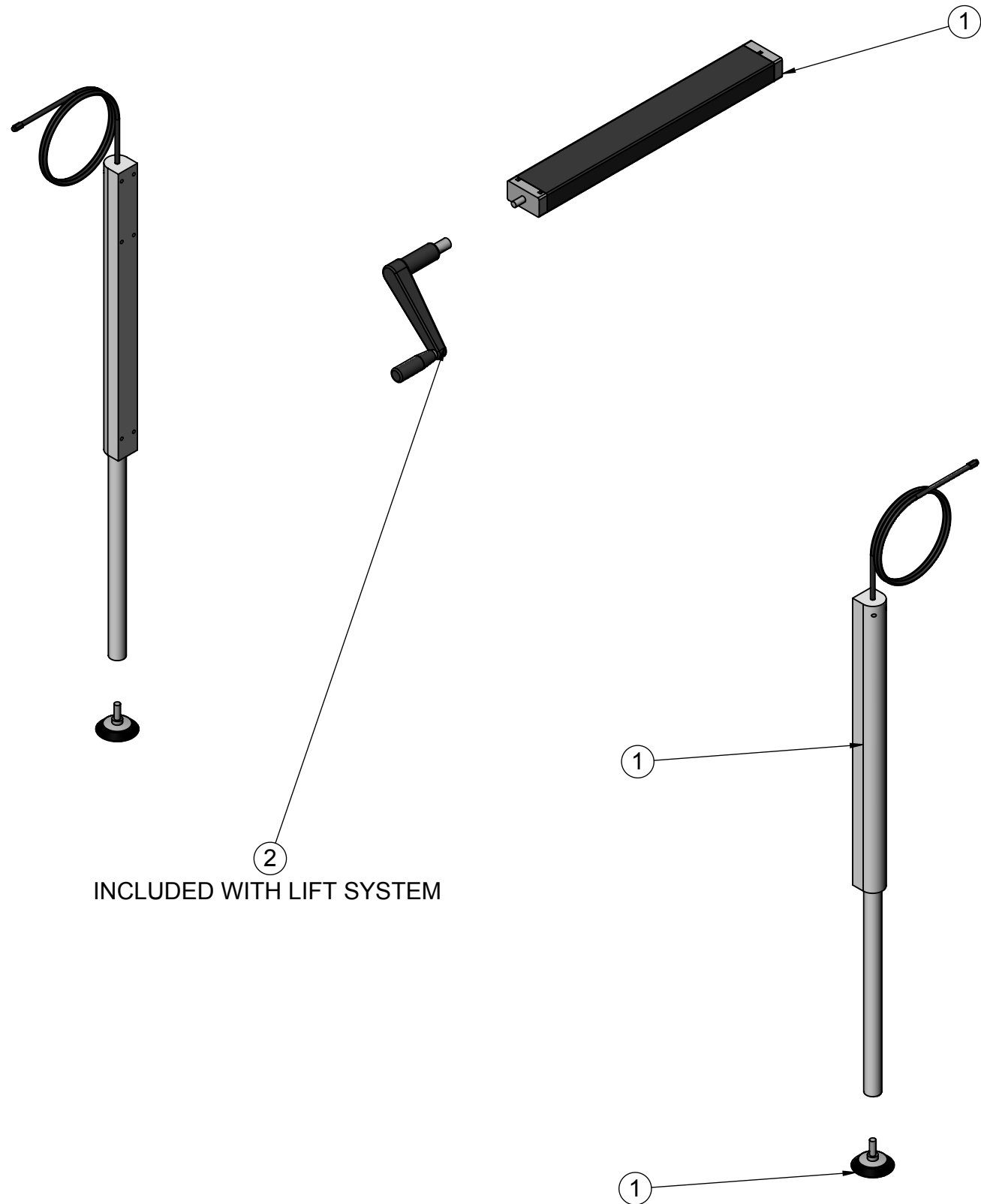
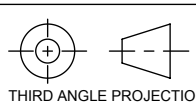


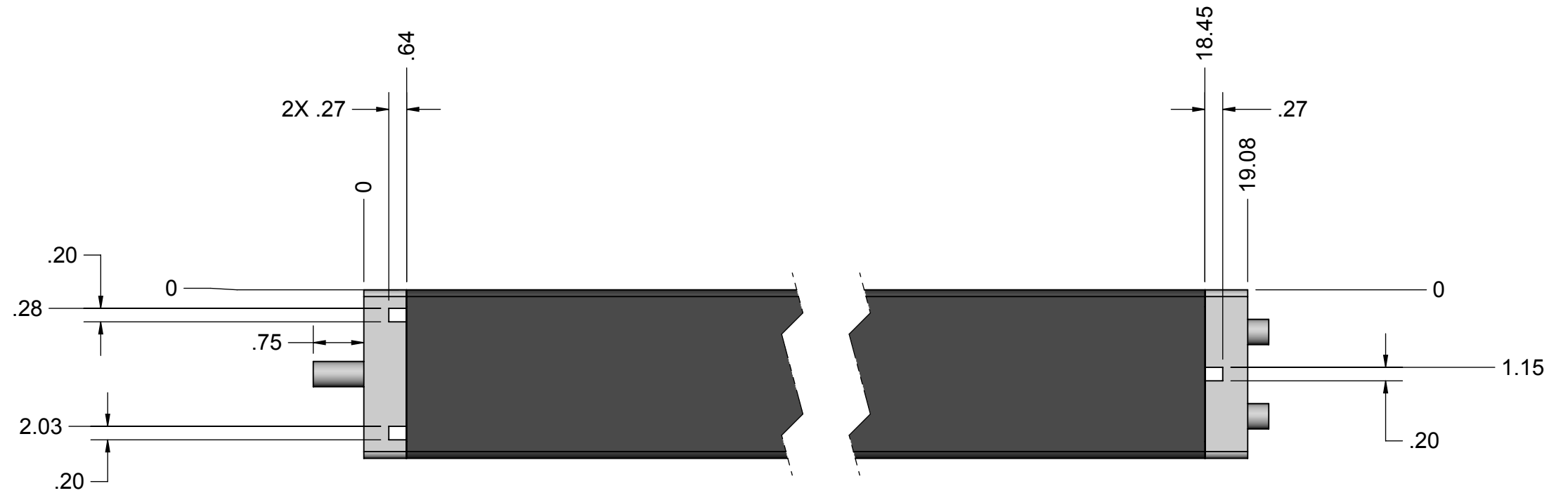
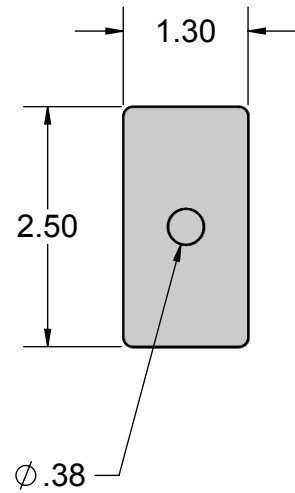
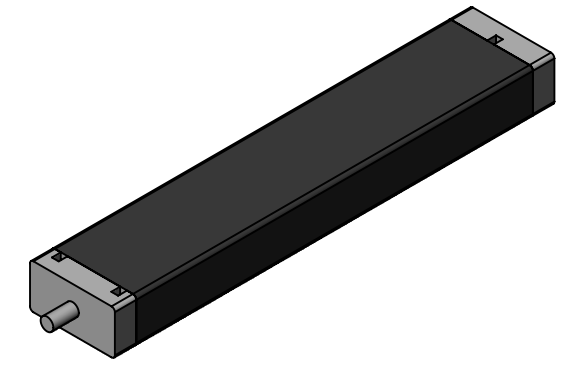
REV/VER	DESCRIPTION OF CHANGE
AA	INITIAL RELEASE

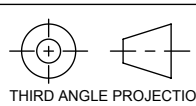


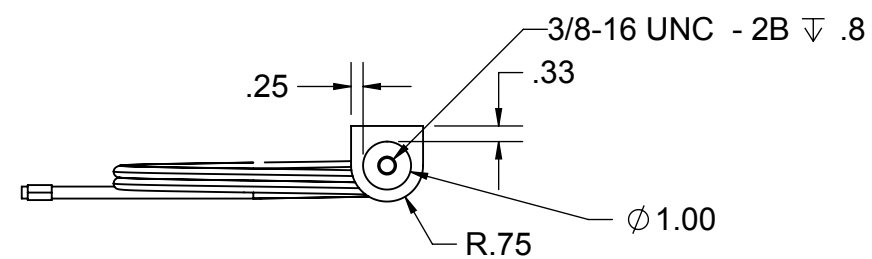
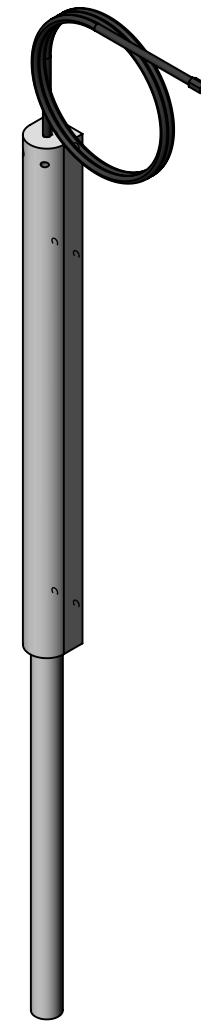
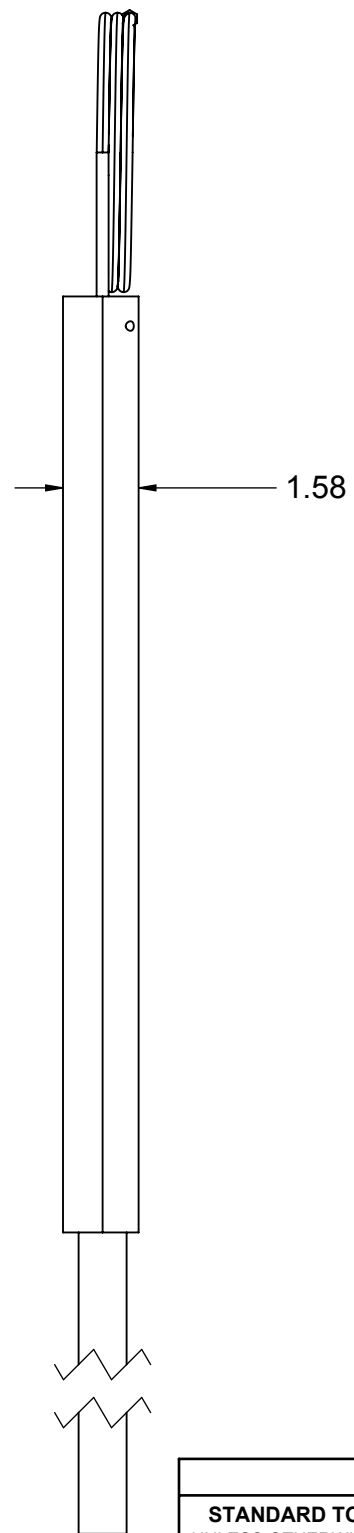
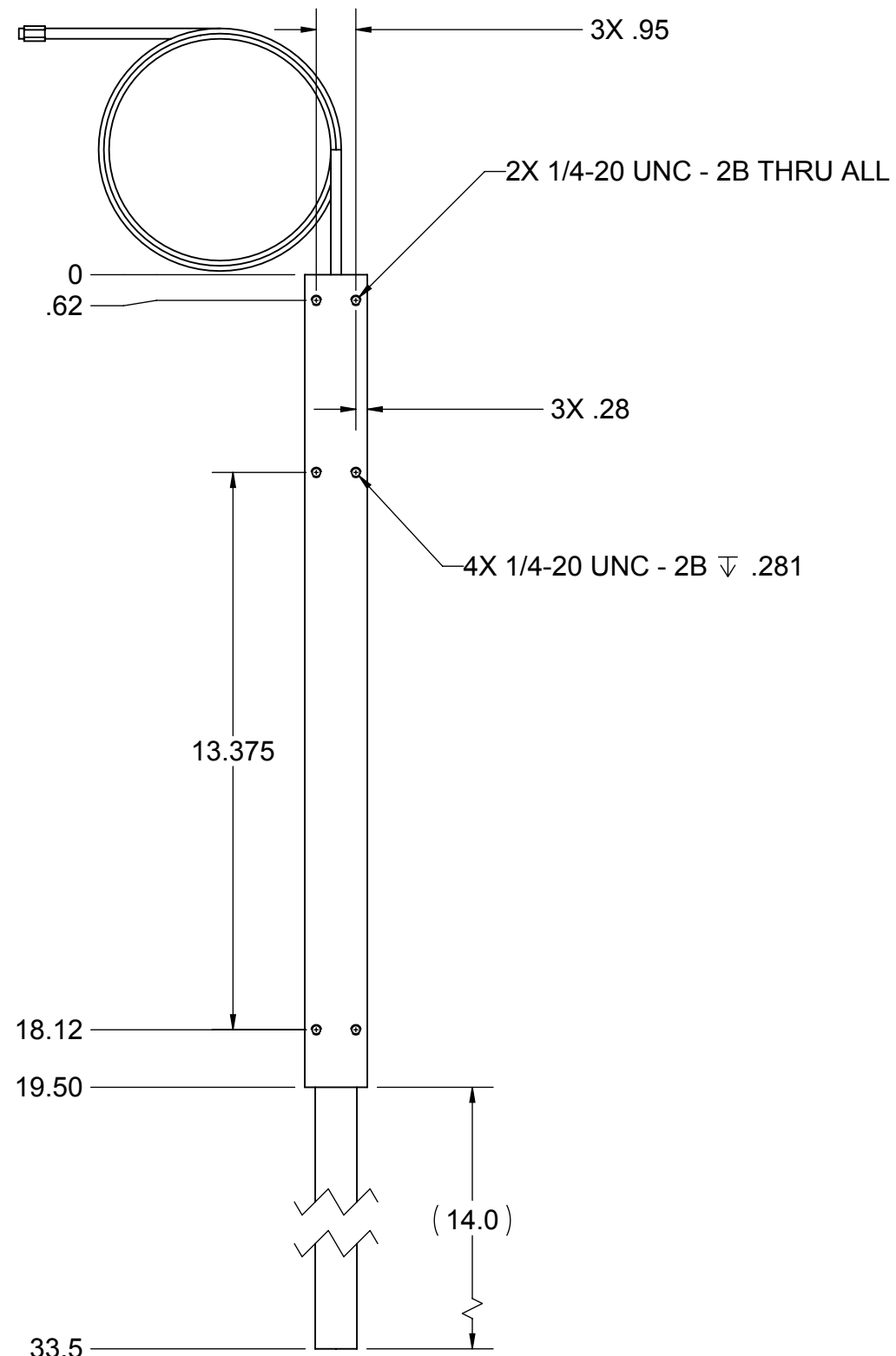
ITEM NO.	QTY.	ADDITIONAL DESCRIPTION	VENDOR	VENDOR PN
1	1	PUMP HOUSING	ERGOSOURCE	LM4X14
2	1	HANDLE	ERGOSOURCE	LH-05ES

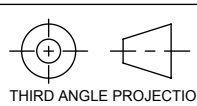
<b>STANDARD TOLERANCES</b> UNLESS OTHERWISE SPECIFIED DIMENSIONS ARE IN INCHES.		<b>DRAWN BY</b> LUCID LABS	<b>DATE</b> 24JUN2013	<b>ErgoSource</b>	THIS DRAWING AND INFORMATION CONTAINED THEREON ARE CONFIDENTIAL AND THE PROPERTY OF ErgoSource. ANY USE OR REPRODUCTION OF THIS DRAWING IS EXPRESSLY PROHIBITED WITHOUT LUCID LABS CONSENT.
<b>INCH</b> .X ±.1 .XX ±.05  <b>ANGLES</b> ±2°		<b>TITLE</b> 4X LIFT SYSTEM			
<b>MATERIAL</b> NA			<b>DWG SIZE</b> B		<b>DOCUMENT NUMBER</b> LM2X14
<b>SURFACE TREATMENT</b> (UNLESS OTHERWISE SPECIFIED DIMENSIONS APPLY PRIOR TO TREATMENT) NA			<b>DO NOT SCALE</b>	<b>REVISIONS</b>	<b>REV/VER</b> 1 OF 3

SOLIDWORKS



<b>STANDARD TOLERANCES</b> UNLESS OTHERWISE SPECIFIED DIMENSIONS ARE IN INCHES.		<b>DRAWN BY</b> LUCID	<b>DATE</b> 18AUG2012	<b>Ergosource</b>	THIS DRAWING AND INFORMATION CONTAINED THEREON ARE CONFIDENTIAL AND THE PROPERTY OF Ergosource. ANY USE OR REPRODUCTION OF THIS DRAWING IS EXPRESSLY PROHIBITED WITHOUT LUCID LABS CONSENT.		
<b>INCH</b> X ±.2 .XX ±.1	<b>mm</b> X ± 5.08 .X ± 2.54	<b>TITLE</b> PUMP HOUSING PUMP HOUSING			<b>DWG SIZE</b> B	 THIRD ANGLE PROJECTION	<b>DOCUMENT NUMBER</b> LM2X14
ANGLES ±2°		<b>MATERIAL</b> NA		<b>DO NOT SCALE</b>		<b>SHEET</b> 2 OF 3	<b>SURFACE TREATMENT (UNLESS OTHERWISE SPECIFIED DIMENSIONS APPLY PRIOR TO TREATMENT)</b> NA



<b>STANDARD TOLERANCES</b> UNLESS OTHERWISE SPECIFIED DIMENSIONS ARE IN INCHES.		<b>DRAWN BY</b> LUCID	<b>DATE</b> 18AUG2012	<b>ErgoSource</b>	THIS DRAWING AND INFORMATION CONTAINED THEREON ARE CONFIDENTIAL AND THE PROPERTY OF ErgoSource. ANY USE OR REPRODUCTION OF THIS DRAWING IS EXPRESSLY PROHIBITED WITHOUT LUCID LABS CONSENT.	
<b>INCH</b> .X $\pm$ .1 .XX $\pm$ .05		<b>TITLE</b> X-HOUSING				
ANGLES $\pm$ 2°				<b>DWG SIZE</b> B	 <b>THIRD ANGLE PROJECTION</b>	<b>DOCUMENT NUMBER</b> LM2X14
<b>MATERIAL</b> NA				<b>DO NOT SCALE</b>	<b>REVISIONS</b>	<b>REV/VER</b>
<b>SURFACE TREATMENT</b> (UNLESS OTHERWISE SPECIFIED DIMENSIONS APPLY PRIOR TO TREATMENT) NA				<b>SHEET</b>	<b>3 OF 3</b>	