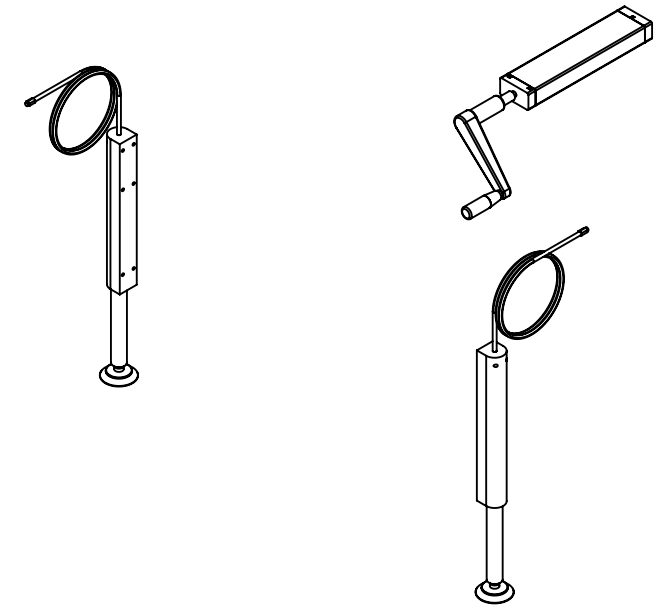
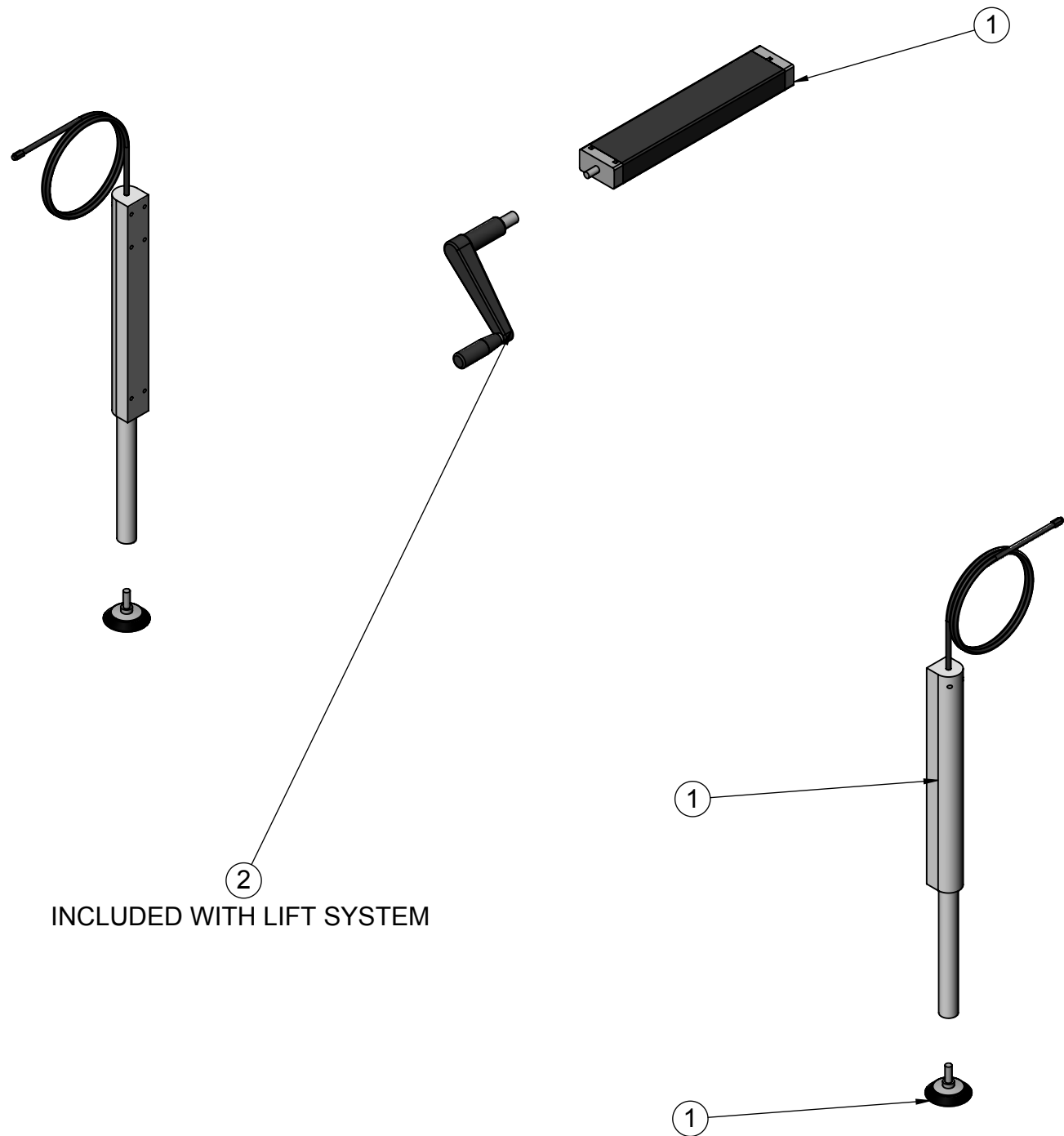
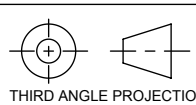


REV/VER	DESCRIPTION OF CHANGE
AA	INITIAL RELEASE

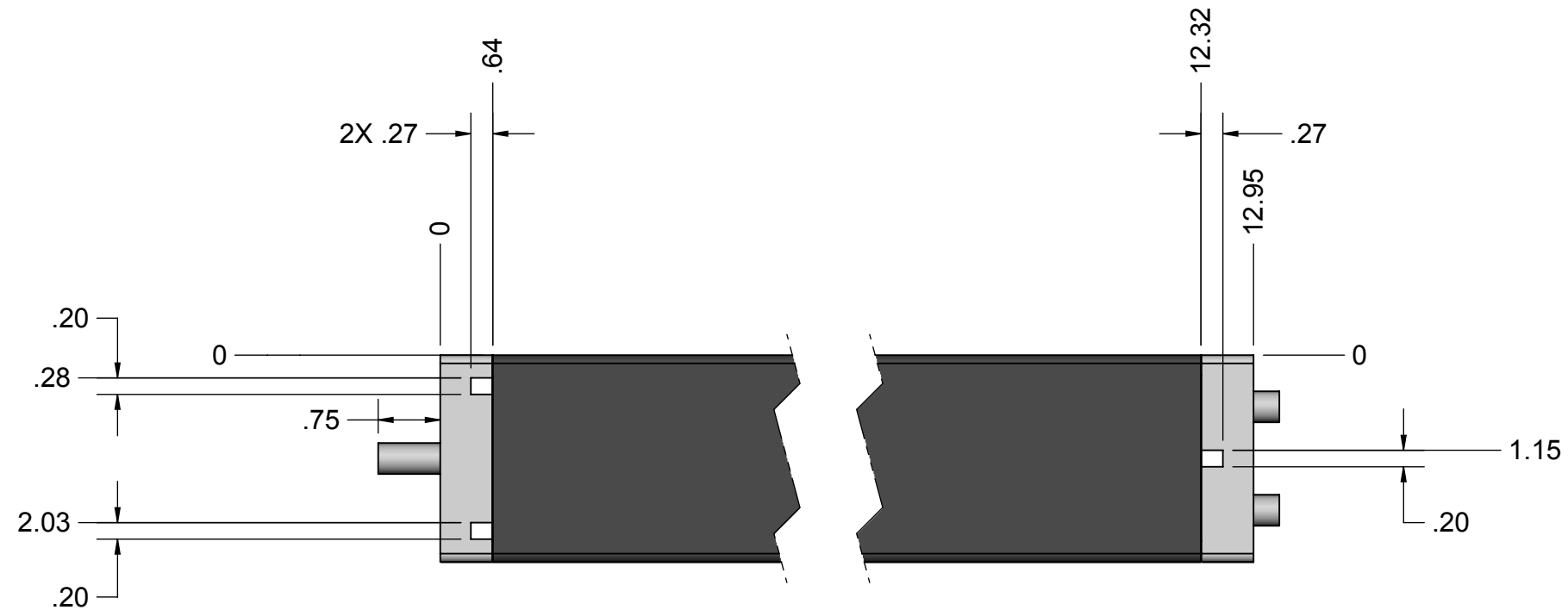
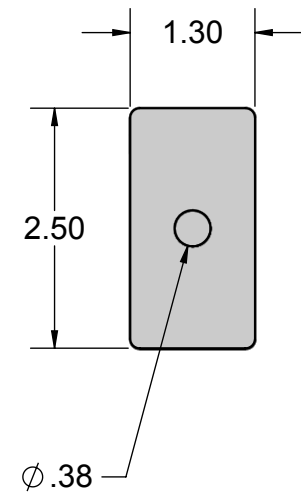
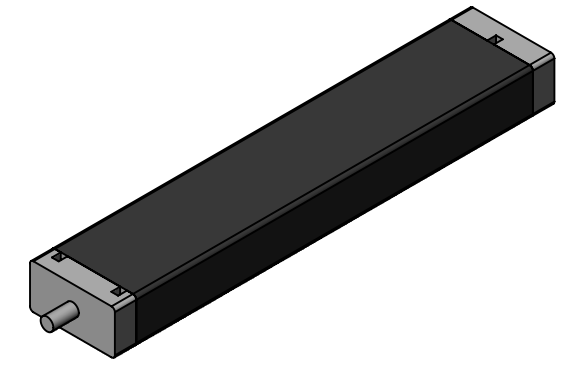


INCLUDED WITH LIFT SYSTEM

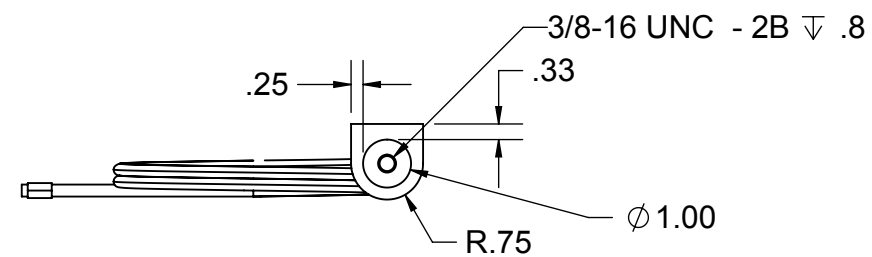
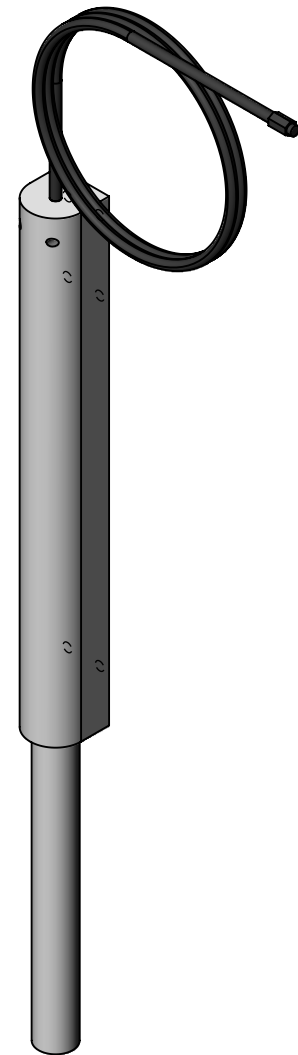
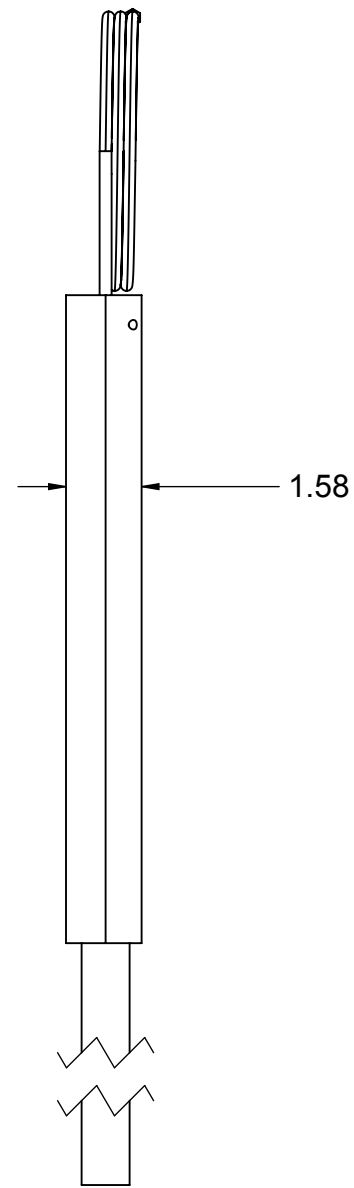
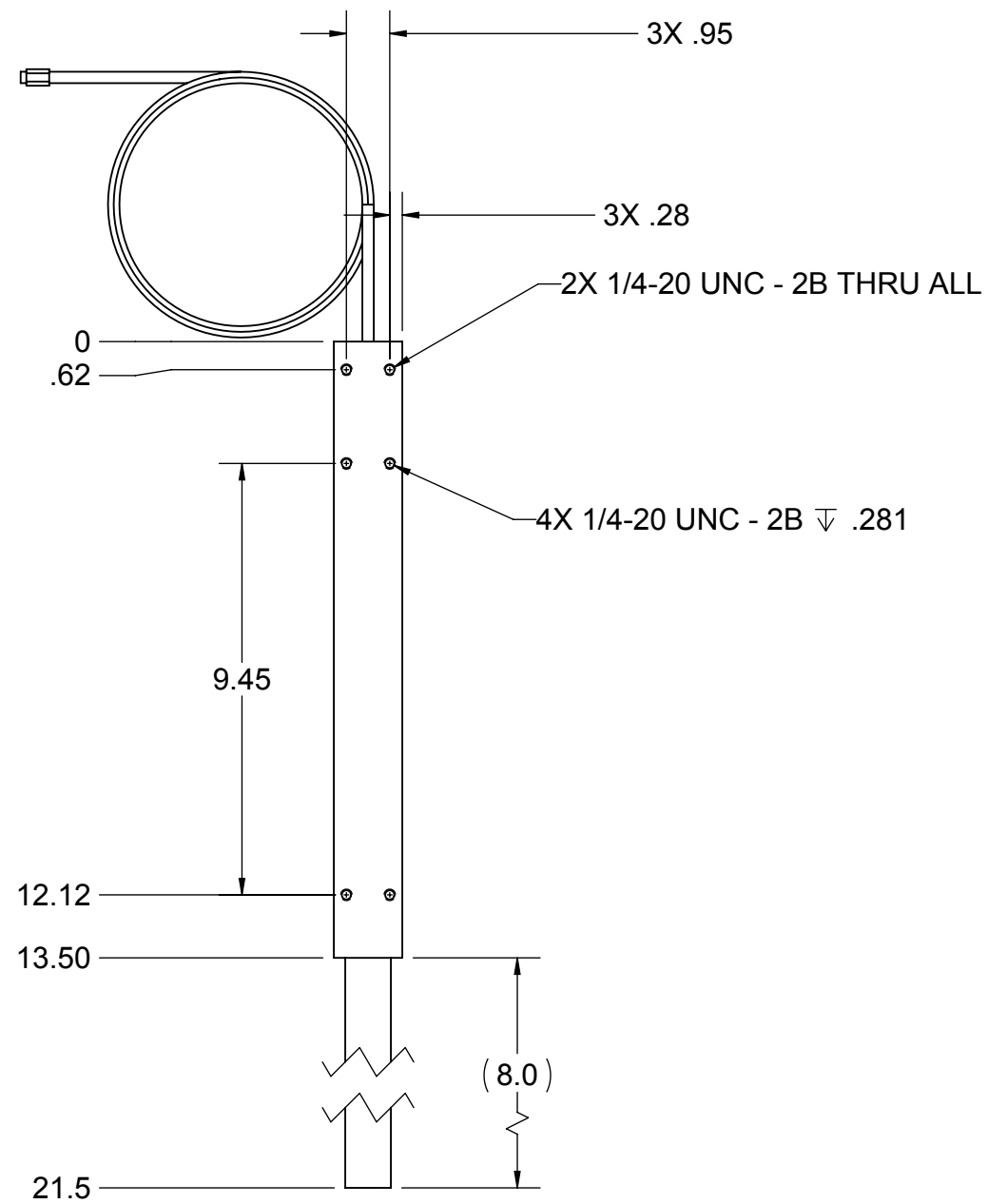
ITEM NO.	QTY.	ADDITIONAL DESCRIPTION	VENDOR	VENDOR PN
1	1	PUMP HOUSING	ERGOSOURCE	LM4X08
2	1	HANDLE	ERGOSOURCE	LH-05ES

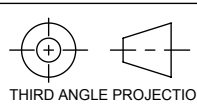
<b>STANDARD TOLERANCES</b> UNLESS OTHERWISE SPECIFIED DIMENSIONS ARE IN INCHES.		<b>DRAWN BY</b> LUCID LABS	<b>DATE</b> 24JUN2013	<b>ErgoSource</b>	THIS DRAWING AND INFORMATION CONTAINED THEREON ARE CONFIDENTIAL AND THE PROPERTY OF ErgoSource. ANY USE OR REPRODUCTION OF THIS DRAWING IS EXPRESSLY PROHIBITED WITHOUT LUCID LABS CONSENT.
<b>INCH</b> .X ±.1 .XX ±.05  <b>ANGLES</b> ±2°		<b>TITLE</b> 4X LIFT SYSTEM			
<b>MATERIAL</b> NA			<b>DWG SIZE</b> B	 <b>THIRD ANGLE PROJECTION</b>	<b>DOCUMENT NUMBER</b> LM2X08
<b>SURFACE TREATMENT (UNLESS OTHERWISE SPECIFIED DIMENSIONS APPLY PRIOR TO TREATMENT)</b> NA			<b>DO NOT SCALE</b>		<b>REV/VER</b> SHEET 1 OF 3

SOLIDWORKS



<b>STANDARD TOLERANCES</b> UNLESS OTHERWISE SPECIFIED DIMENSIONS ARE IN INCHES.		<b>DRAWN BY</b> LUCID	<b>DATE</b> 18AUG2012	<b>Ergosource</b>	THIS DRAWING AND INFORMATION CONTAINED THEREON ARE CONFIDENTIAL AND THE PROPERTY OF Ergosource. ANY USE OR REPRODUCTION OF THIS DRAWING IS EXPRESSLY PROHIBITED WITHOUT LUCID LABS CONSENT.										
<table border="1"> <thead> <tr> <th>INCH</th> <th></th> <th>mm</th> <th></th> </tr> </thead> <tbody> <tr> <td>X</td> <td>±.2</td> <td>X</td> <td>± 5.08</td> </tr> <tr> <td>.XX</td> <td>±.1</td> <td>.X</td> <td>± 2.54</td> </tr> </tbody> </table>	INCH		mm				X	±.2	X	± 5.08	.XX	±.1	.X	± 2.54	<b>TITLE</b> PUMP HOUSING PUMP HOUSING
INCH		mm													
X	±.2	X	± 5.08												
.XX	±.1	.X	± 2.54												
ANGLES ±2°				<b>DWG SIZE</b> B	THIRD ANGLE PROJECTION										
<b>MATERIAL</b> NA				<b>DOCUMENT NUMBER</b> LM2X08	<b>REV/VER</b>										
<b>SURFACE TREATMENT</b> (UNLESS OTHERWISE SPECIFIED DIMENSIONS APPLY PRIOR TO TREATMENT) NA				<b>DO NOT SCALE</b>	<b>SHEET</b> 2 OF 3										



<b>STANDARD TOLERANCES</b> UNLESS OTHERWISE SPECIFIED DIMENSIONS ARE IN INCHES.		<b>DRAWN BY</b> LUCID	<b>DATE</b> 18AUG2012	<b>ErgoSource</b>	THIS DRAWING AND INFORMATION CONTAINED THEREON ARE CONFIDENTIAL AND THE PROPERTY OF ErgoSource. ANY USE OR REPRODUCTION OF THIS DRAWING IS EXPRESSLY PROHIBITED WITHOUT LUCID LABS CONSENT.	
<b>INCH</b> .X $\pm$ .1 .XX $\pm$ .05		<b>TITLE</b> X-HOUSING				
ANGLES $\pm$ 2°				<b>DWG SIZE</b> B	 <b>THIRD ANGLE PROJECTION</b>	<b>DOCUMENT NUMBER</b> LM2X08
<b>MATERIAL</b> NA				<b>DO NOT SCALE</b>	<b>REVISIONS</b>	<b>REV/VER</b>
<b>SURFACE TREATMENT</b> (UNLESS OTHERWISE SPECIFIED DIMENSIONS APPLY PRIOR TO TREATMENT) NA				<b>SHEET</b>	<b>3 OF 3</b>	