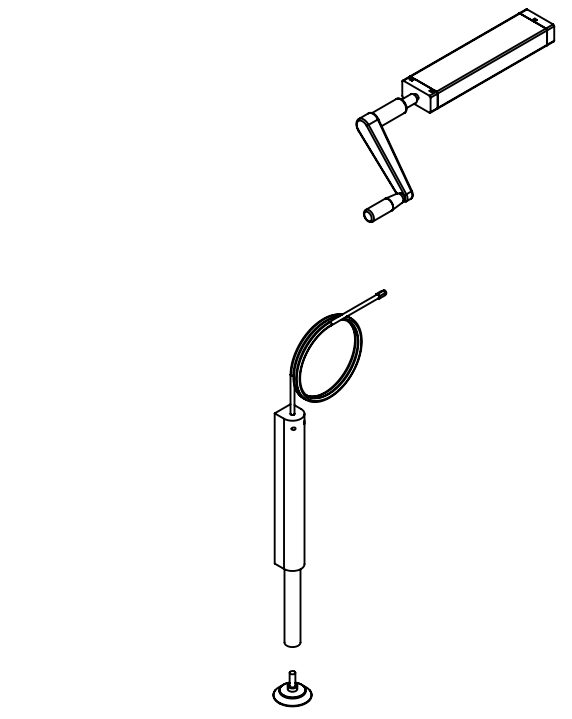
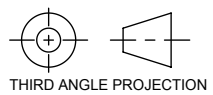


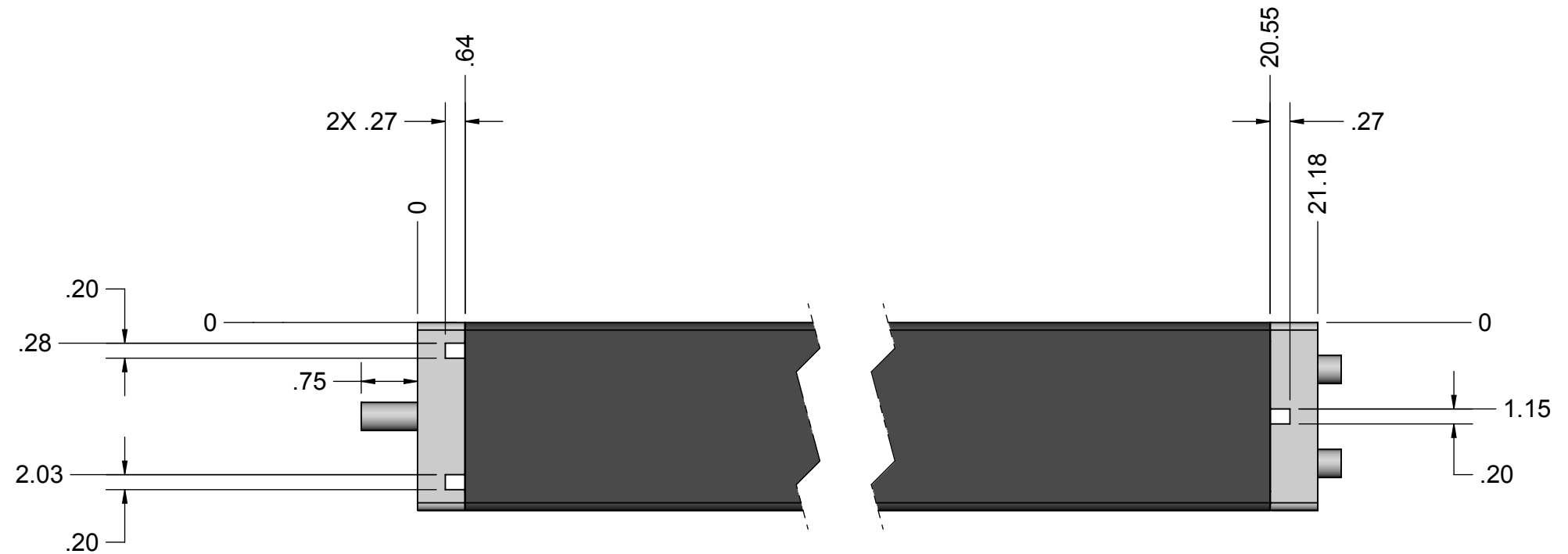
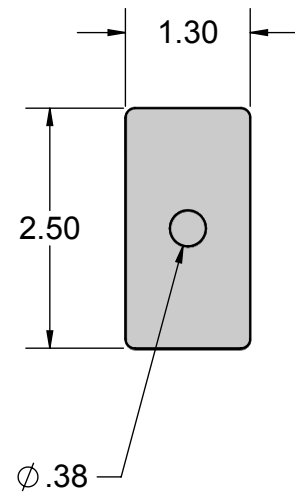
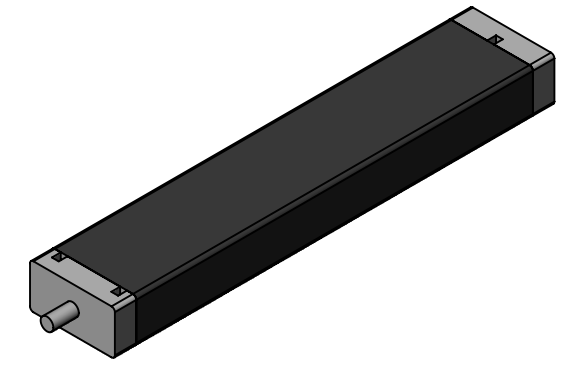
REV/VER	DESCRIPTION OF CHANGE
AA	INITIAL RELEASE

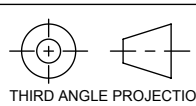


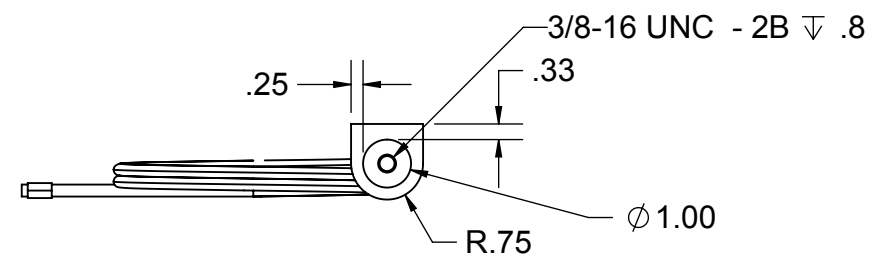
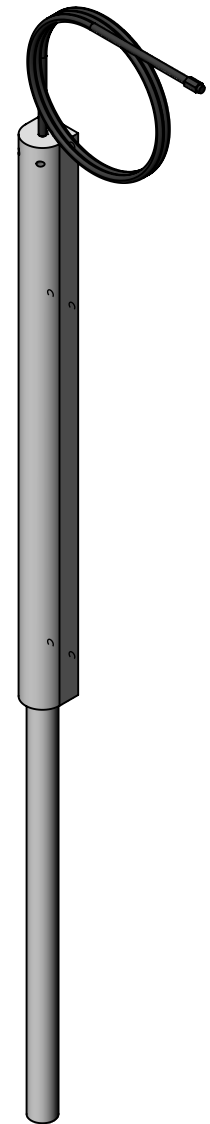
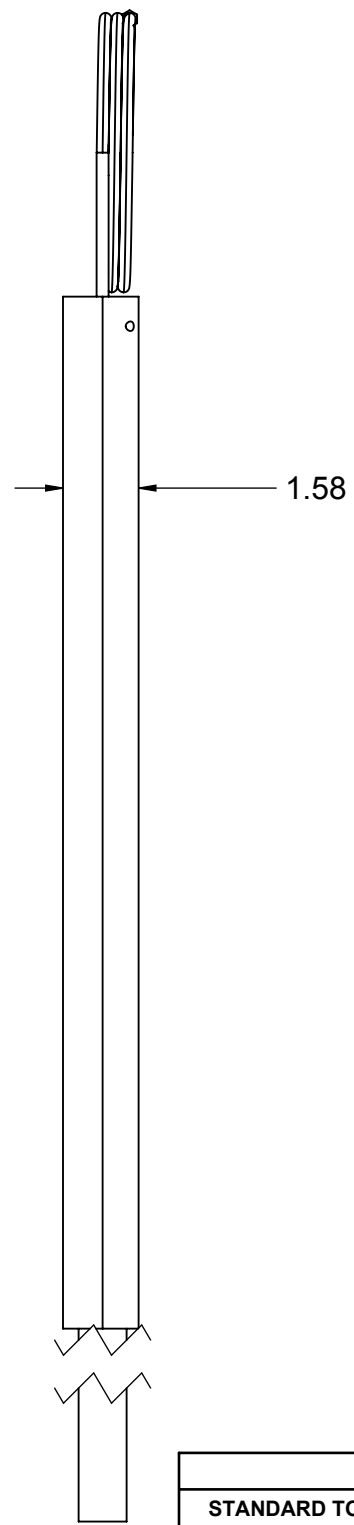
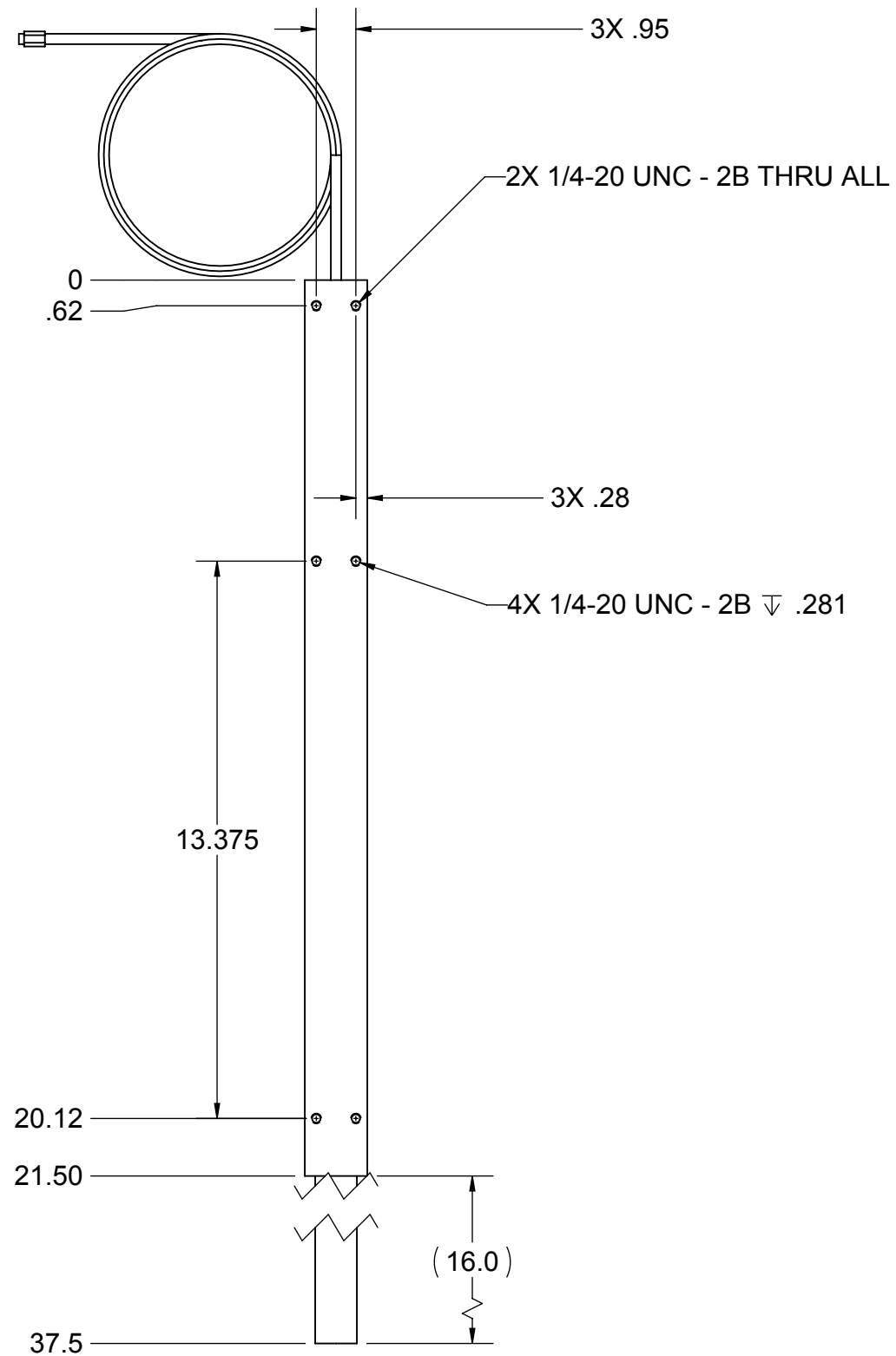
ITEM NO.	QTY.	ADDITIONAL DESCRIPTION	VENDOR	VENDOR PN
1	1	PUMP HOUSING	ERGOSOURCE	LM4X16
2	1	HANDLE	ERGOSOURCE	LH-05ES

STANDARD TOLERANCES UNLESS OTHERWISE SPECIFIED DIMENSIONS ARE IN INCHES.		DRAWN BY LUCID LABS	DATE 24JUN2013	ErgoSource	THIS DRAWING AND INFORMATION CONTAINED THEREON ARE CONFIDENTIAL AND THE PROPERTY OF ErgoSource. ANY USE OR REPRODUCTION OF THIS DRAWING IS EXPRESSLY PROHIBITED WITHOUT LUCID LABS CONSENT.
INCH .X ±.1 .XX ±.05 ANGLES ±2°		TITLE 4X LIFT SYSTEM			
MATERIAL NA			DWG SIZE B	 THIRD ANGLE PROJECTION	DOCUMENT NUMBER LM1X16
SURFACE TREATMENT (UNLESS OTHERWISE SPECIFIED DIMENSIONS APPLY PRIOR TO TREATMENT) NA			DO NOT SCALE	REV/VER	SHEET 1 OF 3

SOLIDWORKS



STANDARD TOLERANCES UNLESS OTHERWISE SPECIFIED DIMENSIONS ARE IN INCHES.		DRAWN BY LUCID	DATE 18AUG2012	Ergosource	THIS DRAWING AND INFORMATION CONTAINED THEREON ARE CONFIDENTIAL AND THE PROPERTY OF Ergosource. ANY USE OR REPRODUCTION OF THIS DRAWING IS EXPRESSLY PROHIBITED WITHOUT LUCID LABS CONSENT.		
INCH X ±.2 .XX ±.1	mm X ± 5.08 .X ± 2.54	TITLE PUMP HOUSING PUMP HOUSING			DWG SIZE B	 THIRD ANGLE PROJECTION	DOCUMENT NUMBER LM1X16
ANGLES ±2°		MATERIAL NA		DO NOT SCALE		SHEET 2 OF 3	SURFACE TREATMENT (UNLESS OTHERWISE SPECIFIED DIMENSIONS APPLY PRIOR TO TREATMENT) NA



STANDARD TOLERANCES UNLESS OTHERWISE SPECIFIED DIMENSIONS ARE IN INCHES.		DRAWN BY LUCID	DATE 18AUG2012	ErgoSource	THIS DRAWING AND INFORMATION CONTAINED THEREON ARE CONFIDENTIAL AND THE PROPERTY OF ErgoSource. ANY USE OR REPRODUCTION OF THIS DRAWING IS EXPRESSLY PROHIBITED WITHOUT LUCID LABS CONSENT.	
INCH .X \pm .1 .XX \pm .05		TITLE X-HOUSING				
ANGLES \pm 2°				DWG SIZE B	THIRD ANGLE PROJECTION	DOCUMENT NUMBER LM1X16
MATERIAL NA				DO NOT SCALE	REVISIONS	REV/VER
SURFACE TREATMENT (UNLESS OTHERWISE SPECIFIED DIMENSIONS APPLY PRIOR TO TREATMENT) NA				SHEET	3 OF 3	