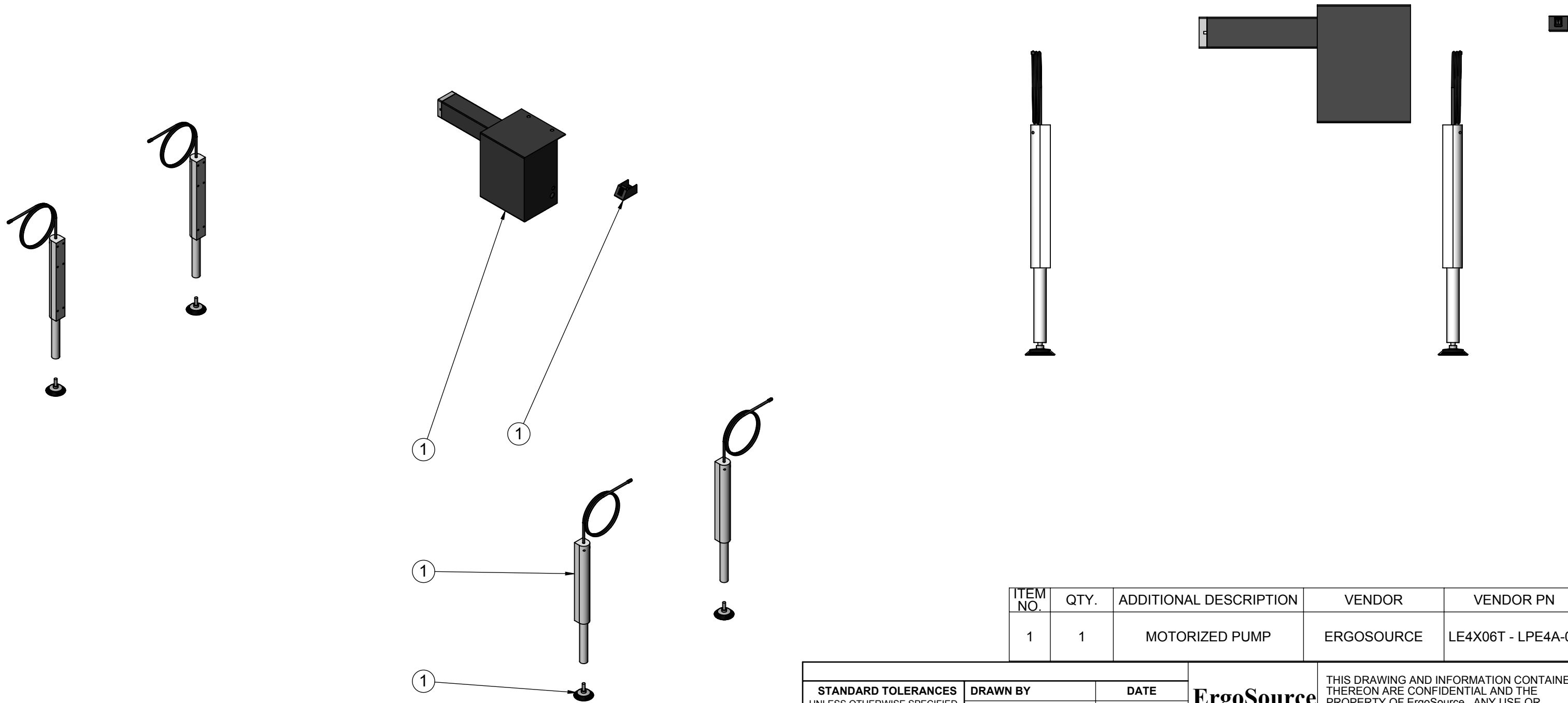
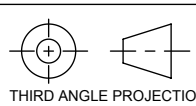


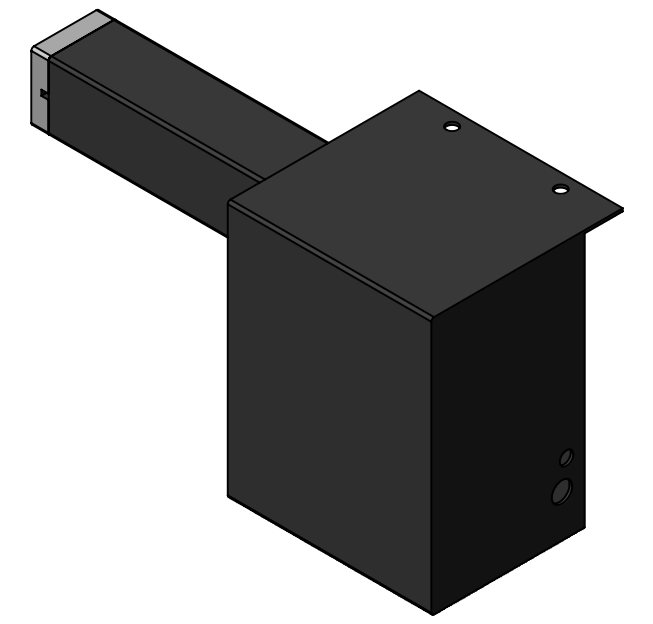
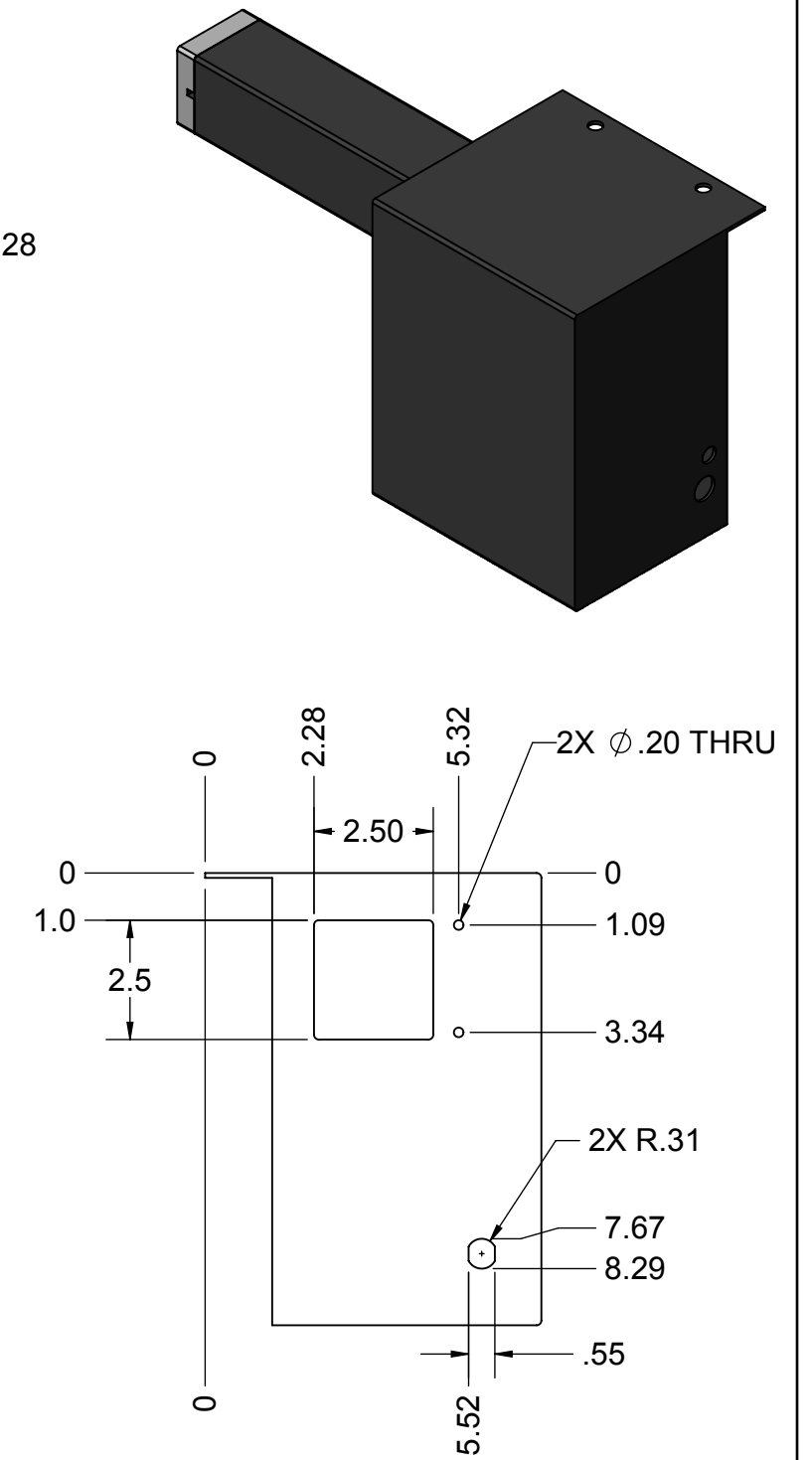
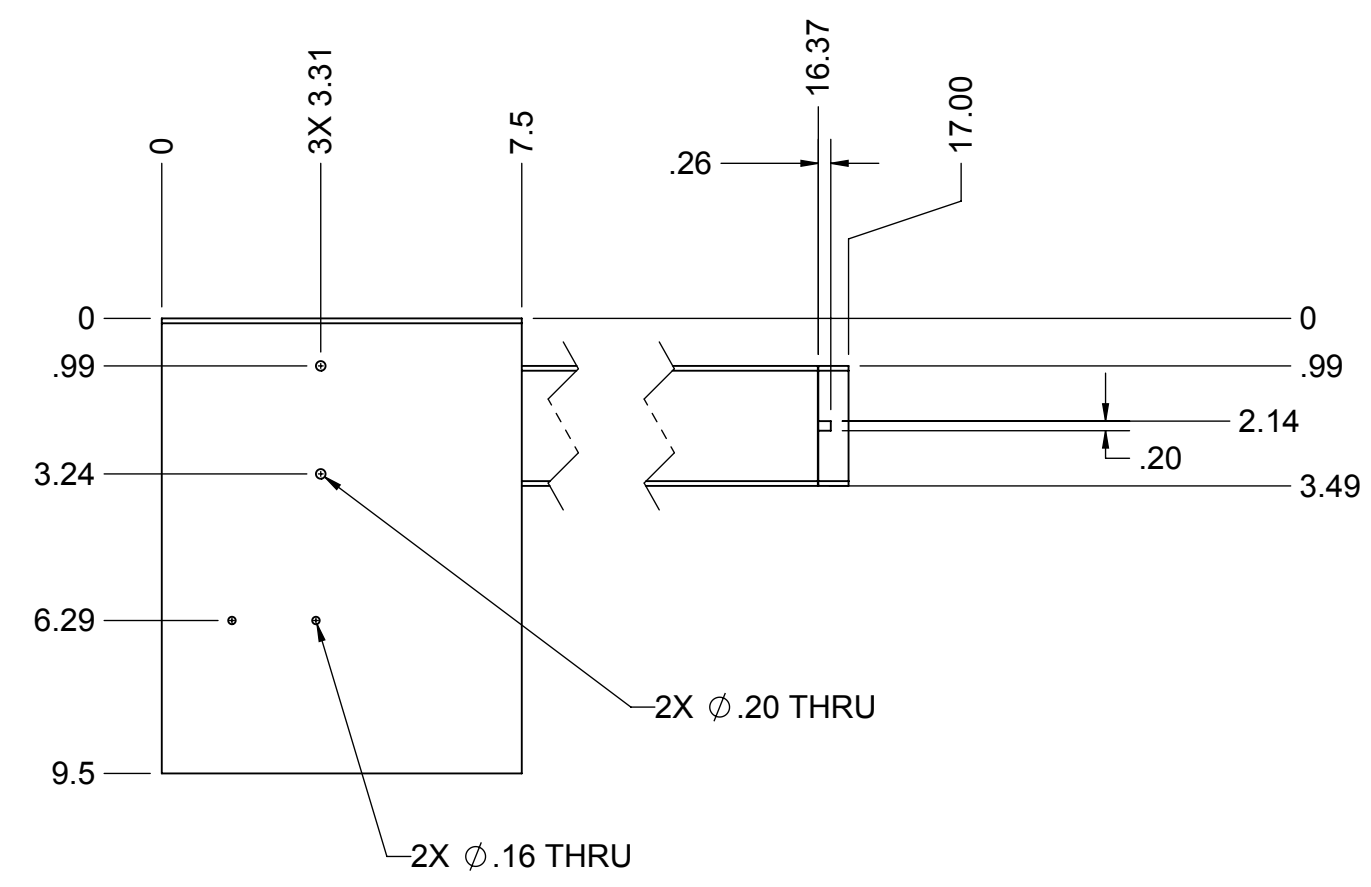
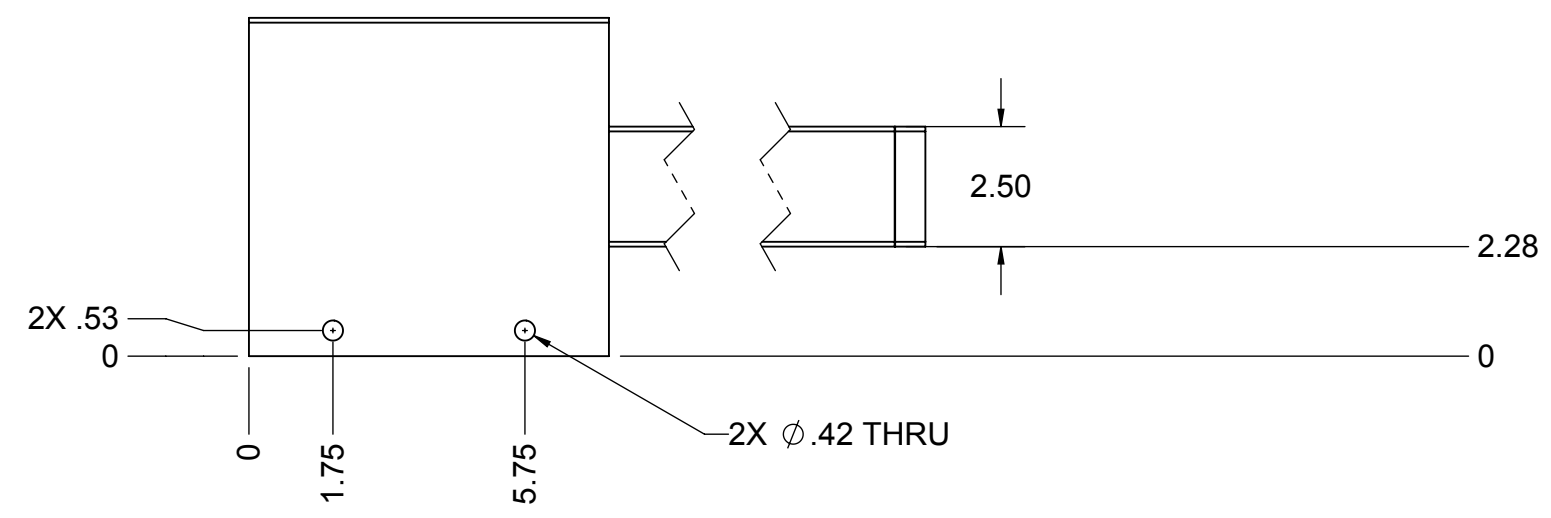
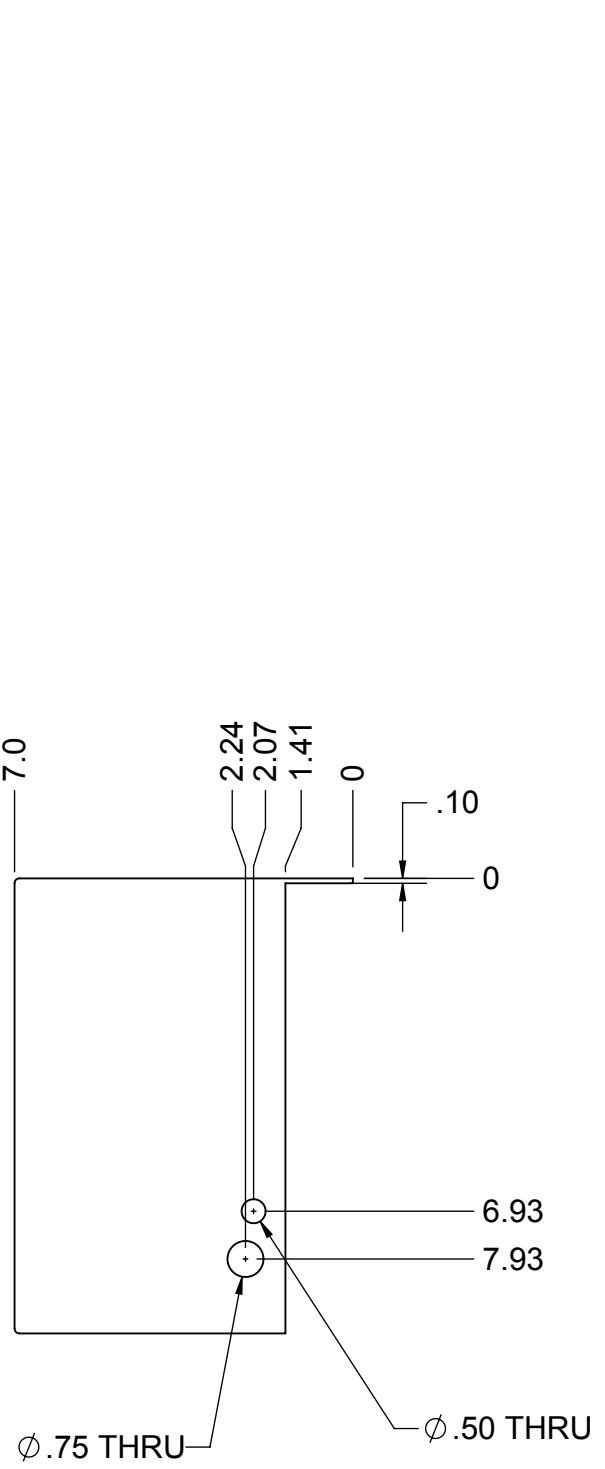
| REV/VER | DESCRIPTION OF CHANGE |
|---------|-----------------------|
| AA      | INITIAL RELEASE       |



| ITEM NO. | QTY. | ADDITIONAL DESCRIPTION | VENDOR     | VENDOR PN          |
|----------|------|------------------------|------------|--------------------|
| 1        | 1    | MOTORIZED PUMP         | ERGOSOURCE | LE4X06T - LPE4A-06 |

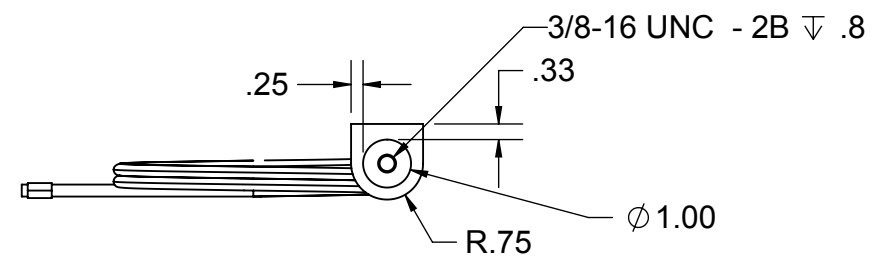
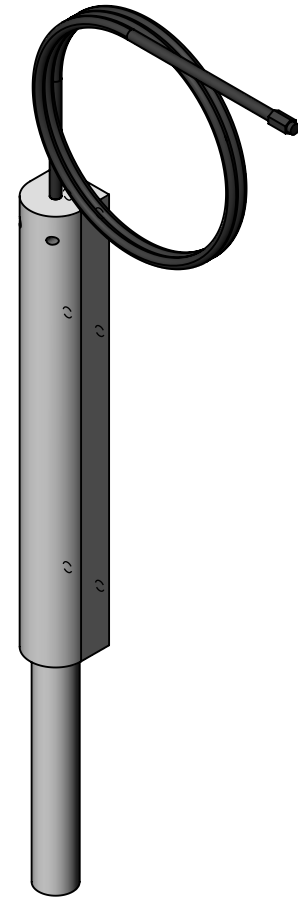
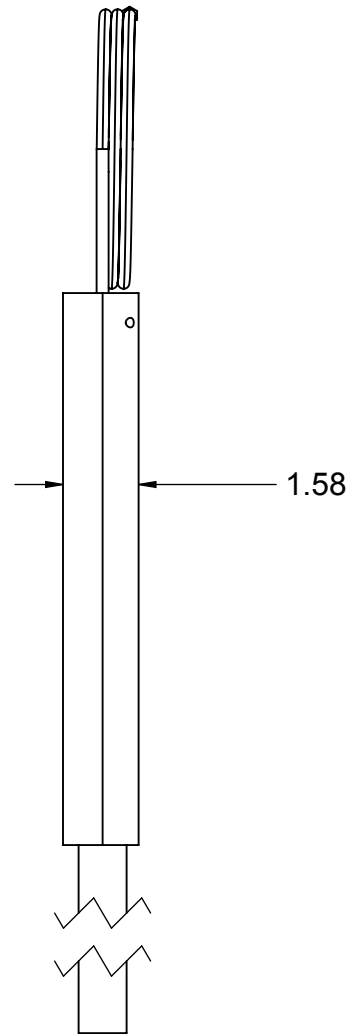
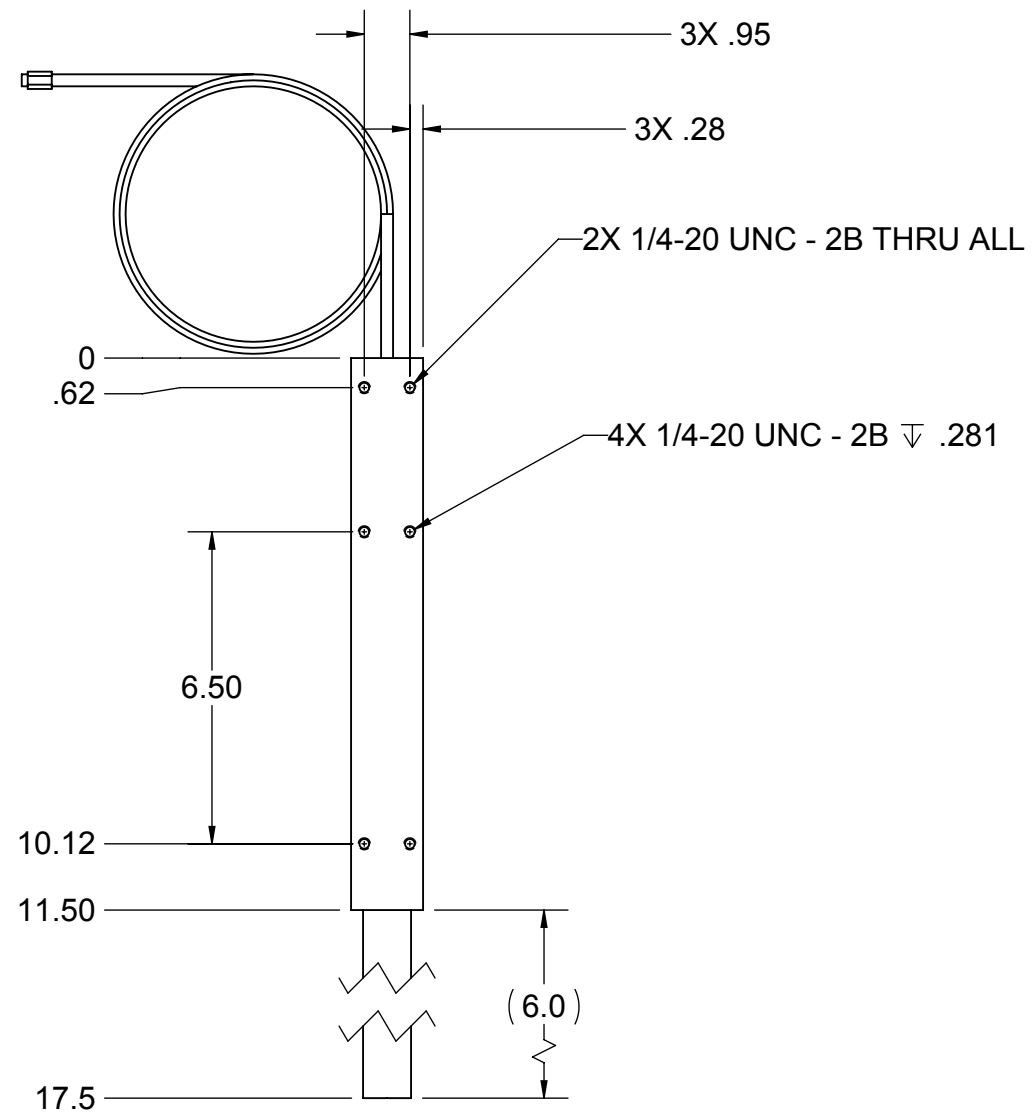
|   |  |                                       |                          |   |  |
|---|--|---------------------------------------|--------------------------|---|--|
| <b>STANDARD TOLERANCES</b><br>UNLESS OTHERWISE SPECIFIED<br>DIMENSIONS ARE IN INCHES.           |  | <b>DRAWN BY</b><br>LUCID LABS         | <b>DATE</b><br>24JUN2013 | <b>ErgoSource</b>   | THIS DRAWING AND INFORMATION CONTAINED<br>THEREON ARE CONFIDENTIAL AND THE<br>PROPERTY OF ErgoSource. ANY USE OR<br>REPRODUCTION OF THIS DRAWING IS<br>EXPRESSLY PROHIBITED WITHOUT LUCID LABS<br>CONSENT. |
| <b>INCH</b><br>.X ±.1<br>.XX ±.05<br><br><b>ANGLES</b> ±2°                                      |  | <b>TITLE</b><br><b>4X LIFT SYSTEM</b> |                          |   |  |
| <b>MATERIAL</b><br>NA   |  |                                       | <b>DWG SIZE</b><br>B     |  <b>THIRD ANGLE PROJECTION</b> | <b>DOCUMENT NUMBER</b><br><b>LE4X06</b>  |
| <b>SURFACE TREATMENT</b> (UNLESS OTHERWISE SPECIFIED DIMENSIONS APPLY PRIOR TO TREATMENT)<br>NA |  |                                       | <b>DO NOT SCALE</b>      |   | <b>REV/VER</b><br><br><b>SHEET</b> 1 OF 3  |

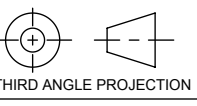
SOLIDWORKS



|  |           |                                |                          |                      |  |                                  |
|--|-----------|--------------------------------|--------------------------|----------------------|--|----------------------------------|
| <b>STANDARD TOLERANCES</b><br>UNLESS OTHERWISE SPECIFIED<br>DIMENSIONS ARE IN INCHES.    |           | <b>DRAWN BY</b><br>LUCID       | <b>DATE</b><br>03JUL2013 | <b>Ergosource</b>    | THIS DRAWING AND INFORMATION CONTAINED<br>THEREON ARE CONFIDENTIAL AND THE<br>PROPERTY OF Ergosource. ANY USE OR<br>REPRODUCTION OF THIS DRAWING IS<br>EXPRESSLY PROHIBITED WITHOUT LUCID LABS<br>CONSENT. |                                  |
| <b>INCH</b>  | <b>mm</b> | <b>TITLE</b><br>MOTORIZED PUMP |                          |                      |  |                                  |
| X ±.2  | X ± 5.08  |                                |                          | <b>DWG SIZE</b><br>B |  | <b>DOCUMENT NUMBER</b><br>LE4X06 |
| .XX ±.1  | .X ± 2.54 |                                |                          | <b>DO NOT SCALE</b>  |  | <b>REV/VER</b>                   |
| ANGLES ±2°   |           |                                |                          |                      |  | <b>SHEET</b><br>2 OF 3           |
| MATERIAL   |           |                                |                          |                      |  |                                  |
| SURFACE TREATMENT (UNLESS OTHERWISE SPECIFIED DIMENSIONS APPLY PRIOR TO TREATMENT)<br>NA |           |                                |                          |                      |  |                                  |

SOLIDWORKS



|   |  |                           |                          |                      |  |                                  |
|---|--|---------------------------|--------------------------|----------------------|--|----------------------------------|
| <b>STANDARD TOLERANCES</b><br>UNLESS OTHERWISE SPECIFIED<br>DIMENSIONS ARE IN INCHES.           |  | <b>DRAWN BY</b><br>LUCID  | <b>DATE</b><br>18AUG2012 | <b>ErgoSource</b>    | THIS DRAWING AND INFORMATION CONTAINED<br>THEREON ARE CONFIDENTIAL AND THE<br>PROPERTY OF ErgoSource. ANY USE OR<br>REPRODUCTION OF THIS DRAWING IS<br>EXPRESSLY PROHIBITED WITHOUT LUCID LABS<br>CONSENT. |                                  |
| <b>INCH</b><br>.X $\pm$ .1<br>.XX $\pm$ .05   |  | <b>TITLE</b><br>X-HOUSING |                          |                      |  |                                  |
| ANGLES $\pm$ 2°   |  |                           |                          | <b>DWG SIZE</b><br>B | <br>THIRD ANGLE PROJECTION  | <b>DOCUMENT NUMBER</b><br>LE4X06 |
| <b>MATERIAL</b><br>NA   |  |                           |                          | <b>DO NOT SCALE</b>  | <b>REVISIONS</b>   | <b>REV/VER</b>                   |
| <b>SURFACE TREATMENT</b> (UNLESS OTHERWISE SPECIFIED DIMENSIONS APPLY PRIOR TO TREATMENT)<br>NA |  |                           |                          | <b>SHEET</b>         | <b>3 OF 3</b>  |                                  |