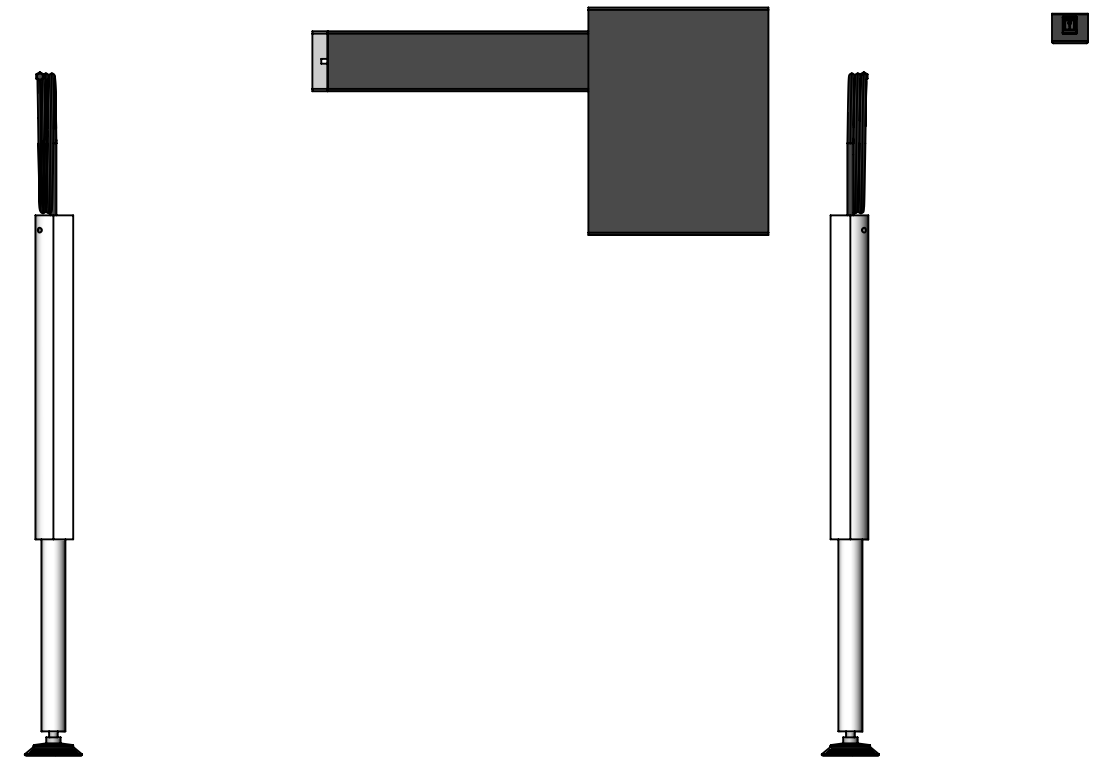
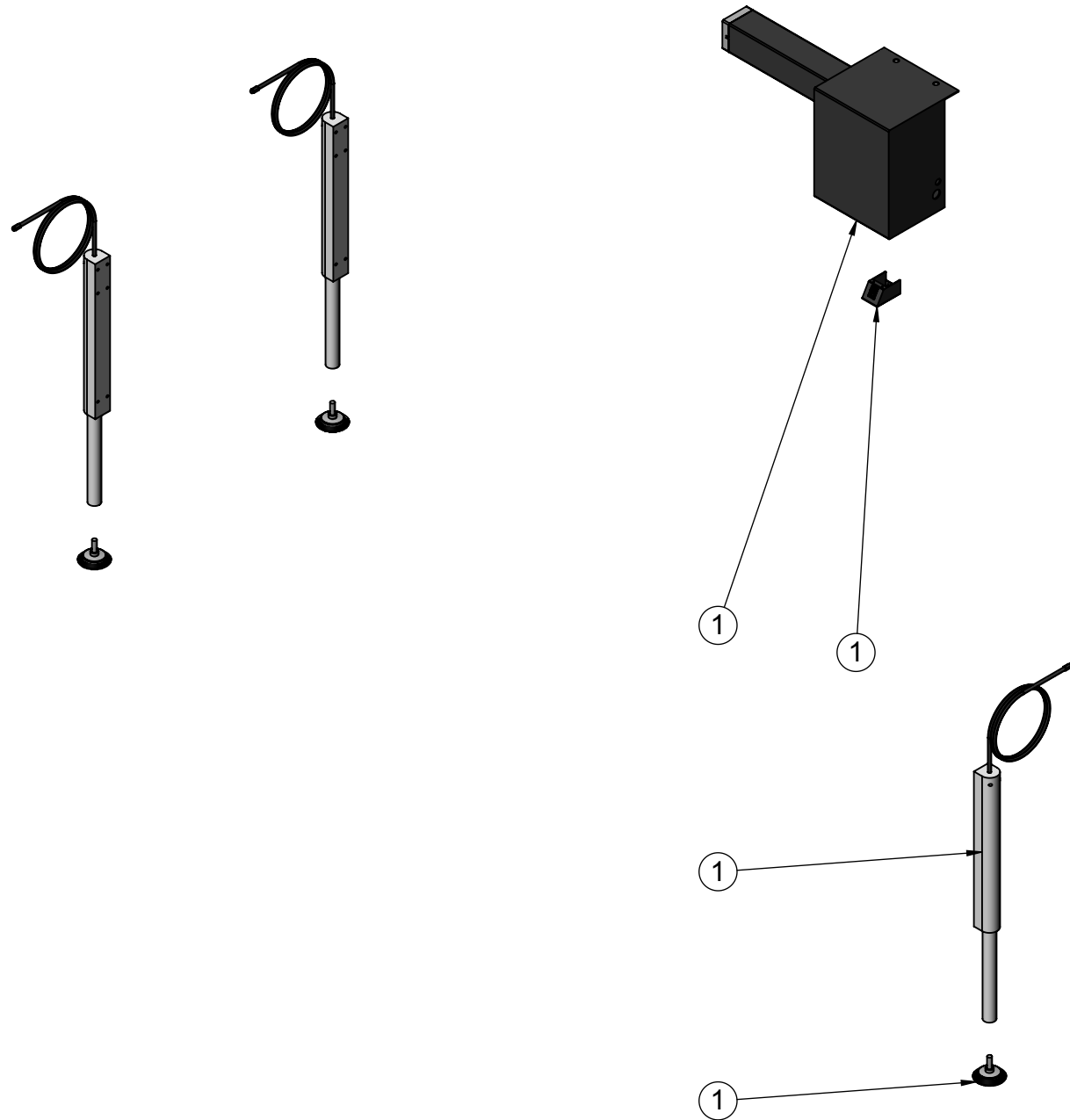
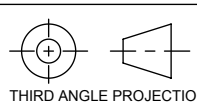


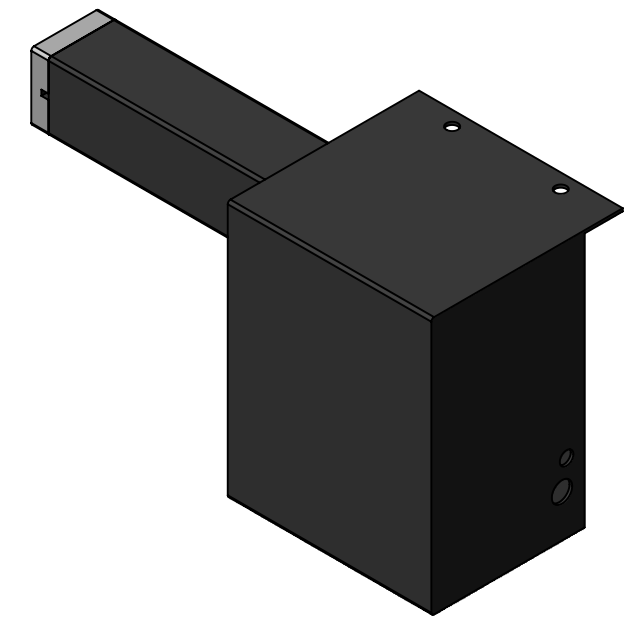
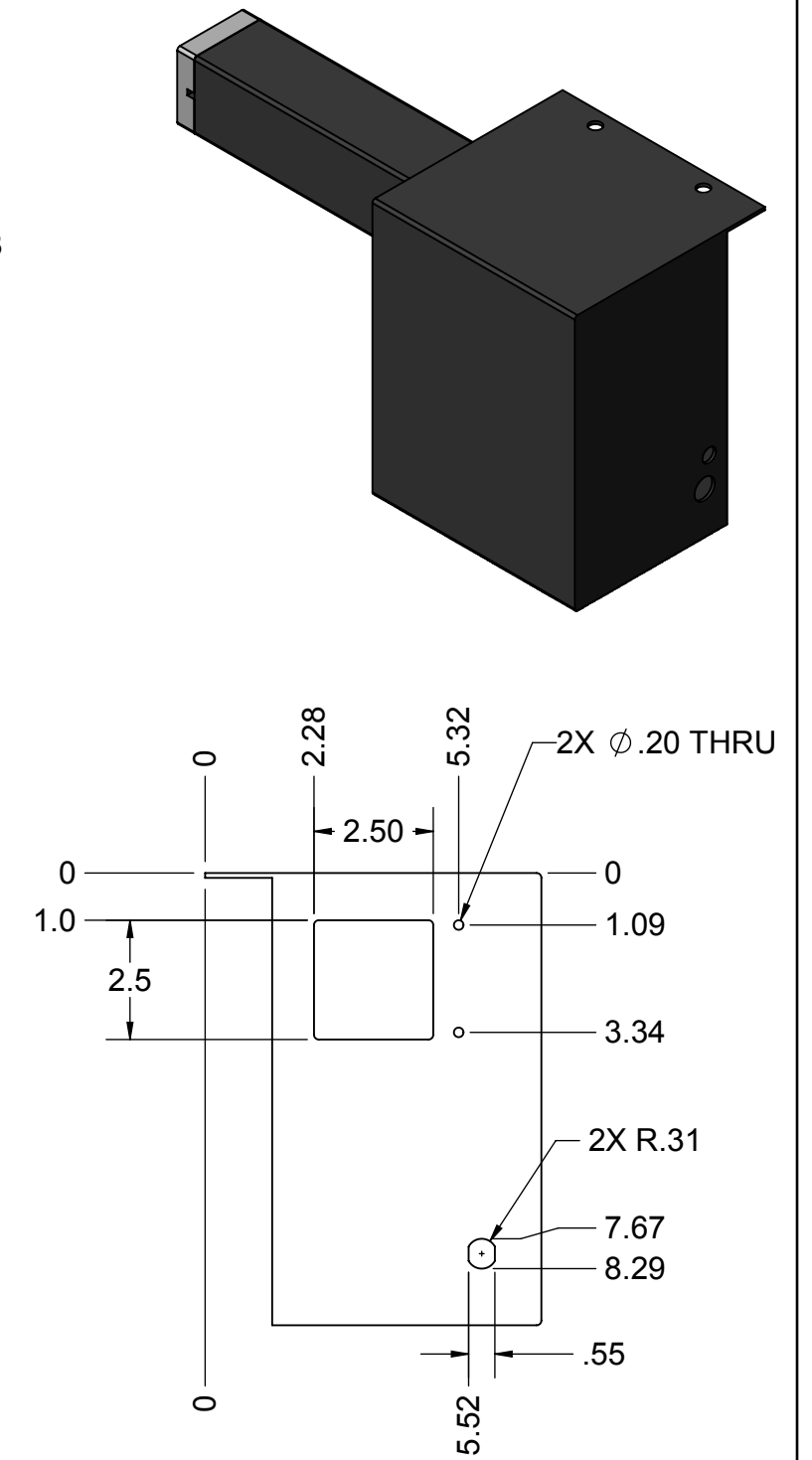
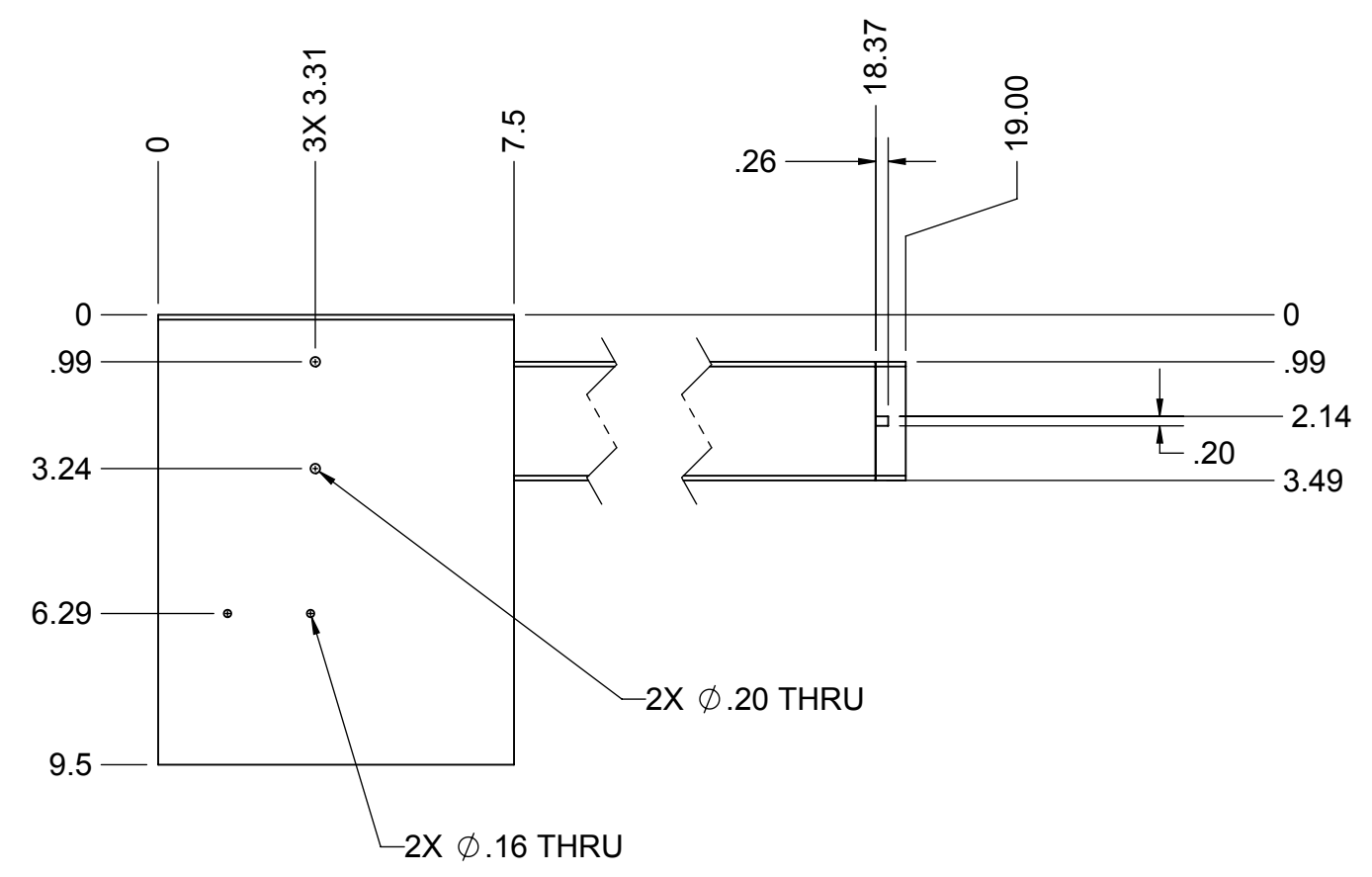
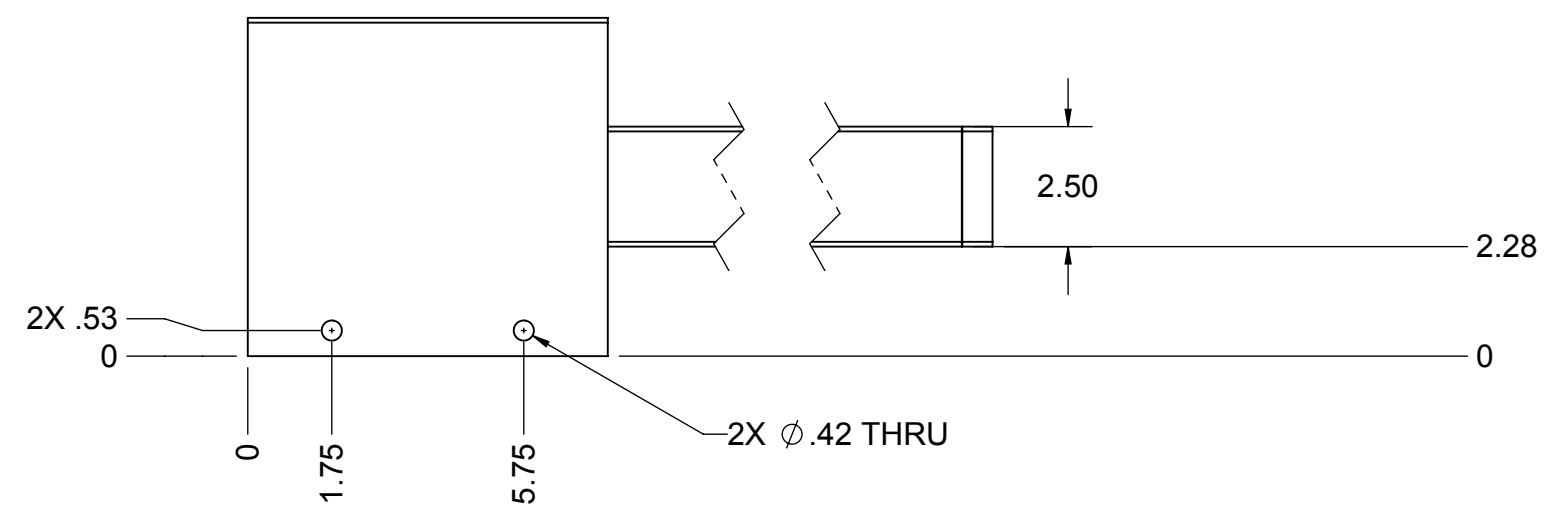
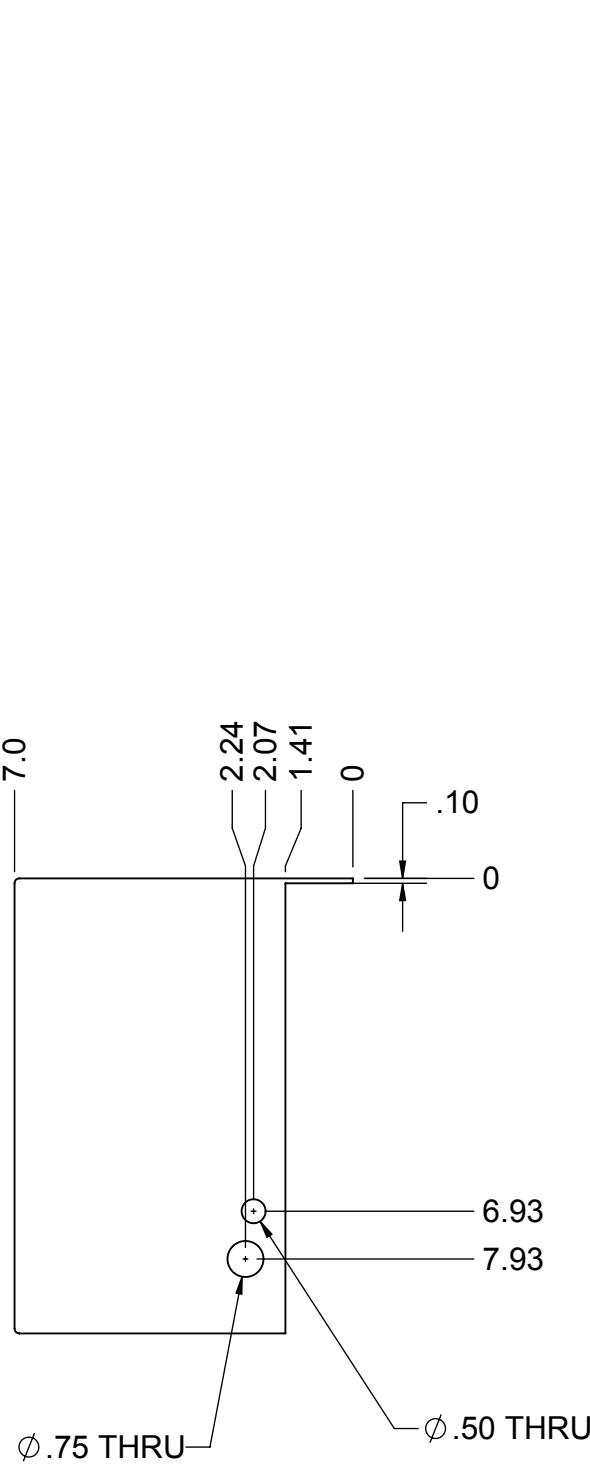
REV/VER	DESCRIPTION OF CHANGE
AA	INITIAL RELEASE



ITEM NO.	QTY.	ADDITIONAL DESCRIPTION	VENDOR	VENDOR PN
1	1	MOTORIZED PUMP	ERGOSOURCE	LE4X08T - LPE4A-08

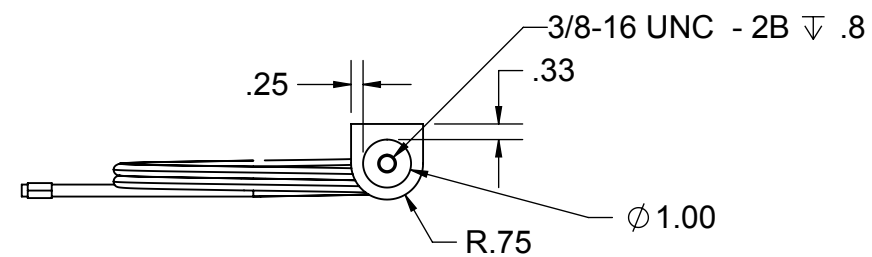
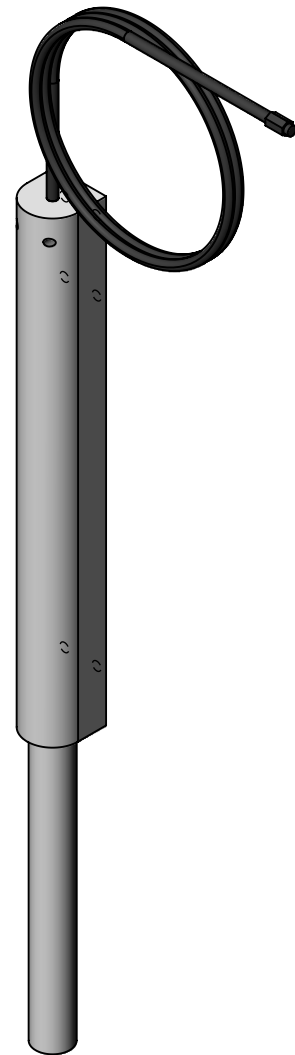
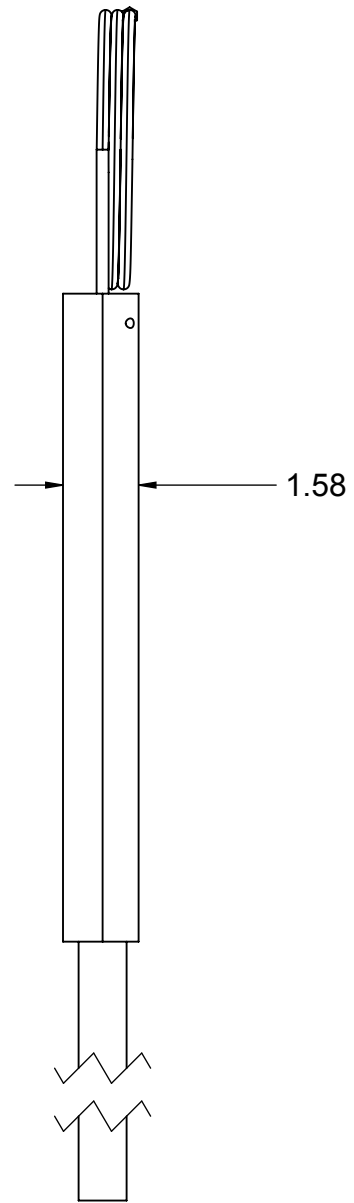
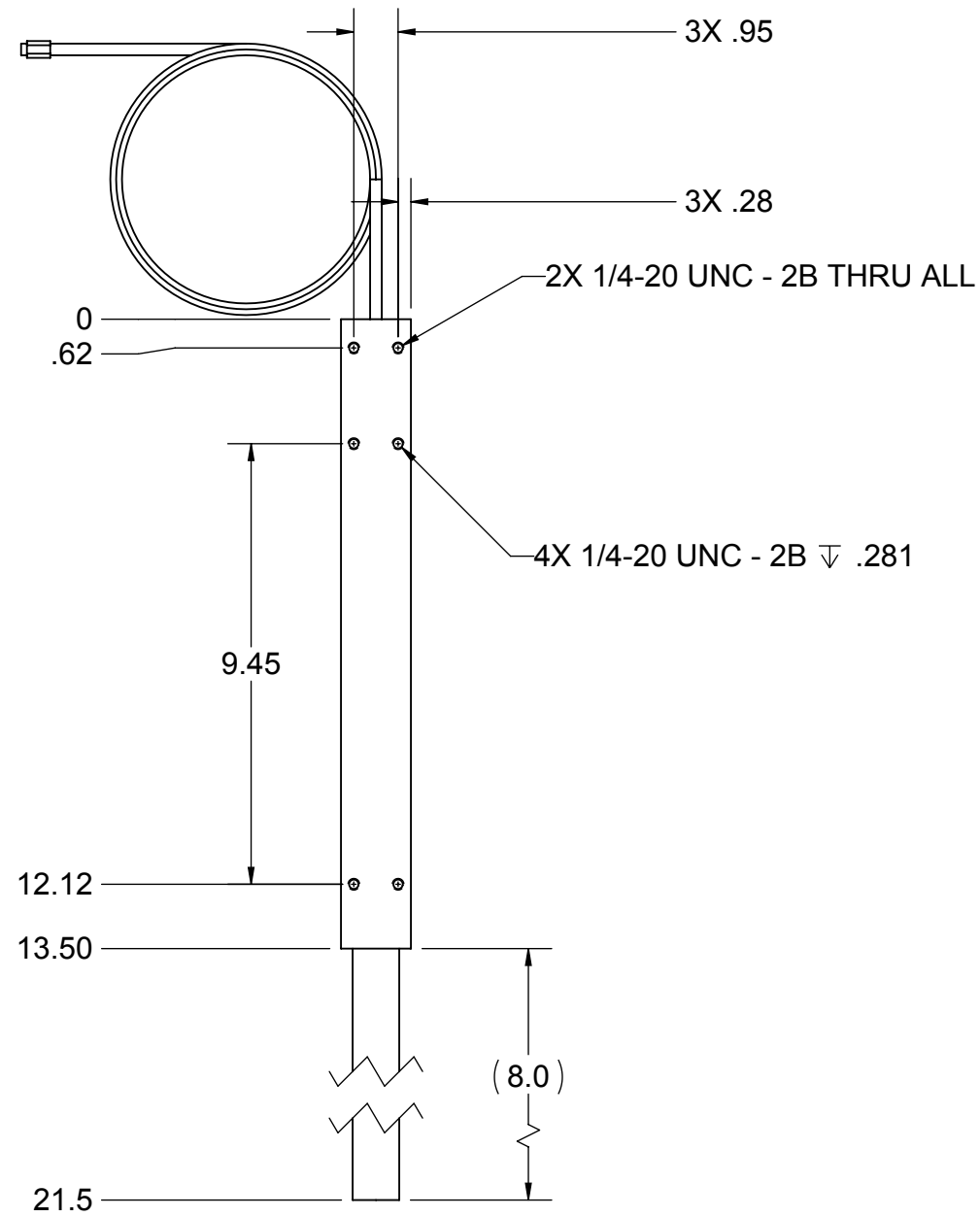
STANDARD TOLERANCES UNLESS OTHERWISE SPECIFIED DIMENSIONS ARE IN INCHES.		DRAWN BY LUCID LABS	DATE 24JUN2013	ErgoSource	THIS DRAWING AND INFORMATION CONTAINED THEREON ARE CONFIDENTIAL AND THE PROPERTY OF ErgoSource. ANY USE OR REPRODUCTION OF THIS DRAWING IS EXPRESSLY PROHIBITED WITHOUT LUCID LABS CONSENT.
INCH .X ±.1 .XX ±.05 ANGLES ±2°		TITLE 3X LIFT SYSTEM			
MATERIAL NA			DWG SIZE B	 THIRD ANGLE PROJECTION	DOCUMENT NUMBER LE3X08
SURFACE TREATMENT (UNLESS OTHERWISE SPECIFIED DIMENSIONS APPLY PRIOR TO TREATMENT) NA			DO NOT SCALE		REV/VER SHEET 1 OF 3

SOLIDWORKS



STANDARD TOLERANCES UNLESS OTHERWISE SPECIFIED DIMENSIONS ARE IN INCHES.		DRAWN BY LUCID	DATE 03JUL2013	Ergosource	THIS DRAWING AND INFORMATION CONTAINED THEREON ARE CONFIDENTIAL AND THE PROPERTY OF Ergosource. ANY USE OR REPRODUCTION OF THIS DRAWING IS EXPRESSLY PROHIBITED WITHOUT LUCID LABS CONSENT.	
INCH X ±.2 .XX ±.1	mm X ± 5.08 .X ± 2.54	TITLE MOTORIZED PUMP				
ANGLES ±2°				DWG SIZE B		DOCUMENT NUMBER LE3X08
MATERIAL NA				DO NOT SCALE	REV/VER	SHEET 2 OF 3

SOLIDWORKS



STANDARD TOLERANCES UNLESS OTHERWISE SPECIFIED DIMENSIONS ARE IN INCHES.		DRAWN BY LUCID	DATE 18AUG2012	ErgoSource	THIS DRAWING AND INFORMATION CONTAINED THEREON ARE CONFIDENTIAL AND THE PROPERTY OF ErgoSource. ANY USE OR REPRODUCTION OF THIS DRAWING IS EXPRESSLY PROHIBITED WITHOUT LUCID LABS CONSENT.	
INCH .X \pm .1 .XX \pm .05		TITLE X-HOUSING				
ANGLES \pm 2°				DWG SIZE B	THIRD ANGLE PROJECTION	DOCUMENT NUMBER LE3X08
MATERIAL NA				DO NOT SCALE	REVISIONS	REV/VER
SURFACE TREATMENT (UNLESS OTHERWISE SPECIFIED DIMENSIONS APPLY PRIOR TO TREATMENT) NA				SHEET	3 OF 3	